



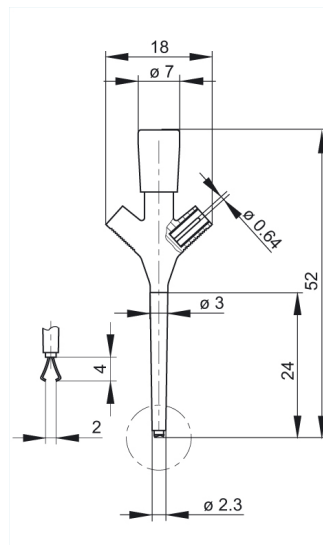
KLEPS 3 ST schwarz/black

Industrial Connectors:Measuring and Testing Equipment:Clamp-type test probes:0.64 mm system

Product description

Description	Miniature clamp-type test probe with rotating grip jaws. Suitable for very thin wires and densely packed contacts. Connects with MKL... and MAL...
Type	KLEPS 3 ST schwarz/black
Order No.	973 592-100
System	0.64 mm system
Clamping range	3.5 mm
Clamp type	rotating grip jaws
Housing Color	black
Other standard types	red color, order no. 973 592-101

Drawing



Technical data

Type of contact	pin
Type of termination	1 x 0.64 mm diameter pin
Rated voltage	DC 60 V
Rated current	2 A
Contact resistance	10 mOhm

Material

Contact material	spring steel
Contact surface material	nickel-plated
Housing material	PBT

Environmental conditions

Temperature range	-25 °C to +100 °C
-------------------	-------------------

Inflammability class

Housing	94 HB
---------	-------