

**STANDARD EXECUTIONS**

Base with a slotted pass-through hole, threaded stem or joint with zinc-plated steel nut:

- **LMD.F-SL (d2)**: threaded blind ball joint, without no-slip disk.
- **LMD.F-SL-TV (d2)**: threaded blind ball joint, with vulcanised rubber (NBR) with no-slip coating hardness 70 Shore A tolerance +/-5.
- **LMD.F-SL (d2 - l)**: threaded stem, without no-slip disk.
- **LMD.F-SL-TV (d2 - l)**: threaded stem, with vulcanised rubber (NBR) with no-slip coating hardness 70 Shore A tolerance +/-5.

Base with two slotted pass-through holes, threaded stem or joint with zinc-plated steel nut:

- **LMD.F-2SL (d2)**: threaded blind ball joint, without no-slip disk.
- **LMD.F-2SL-TV (d2)**: threaded blind ball joint, with vulcanised rubber (NBR) with no-slip coating hardness 70 Shore A tolerance +/-5.
- **LMD.F-2SL (d2 - l)**: threaded stem, without no-slip disk.
- **LMD.F-2SL-TV (d2 - l)**: threaded stem, with vulcanised rubber (NBR) with no-slip coating hardness 70 Shore A tolerance +/-5.

**SET SCREW**

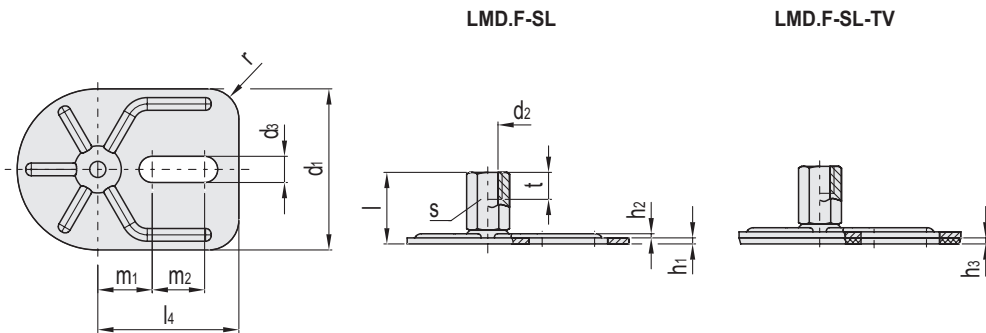
Stainless steel.

**FEATURES**

The bases of the LMD.F levelling feet are provided with one or two slotted pass-through holes to allow fixing to the mounting surface and correct adjustment, preventing lateral movement.

The versions with non-slip coating are particularly suitable for use on sensitive surfaces.

The levelling feet are supplied fully assembled, not removable.



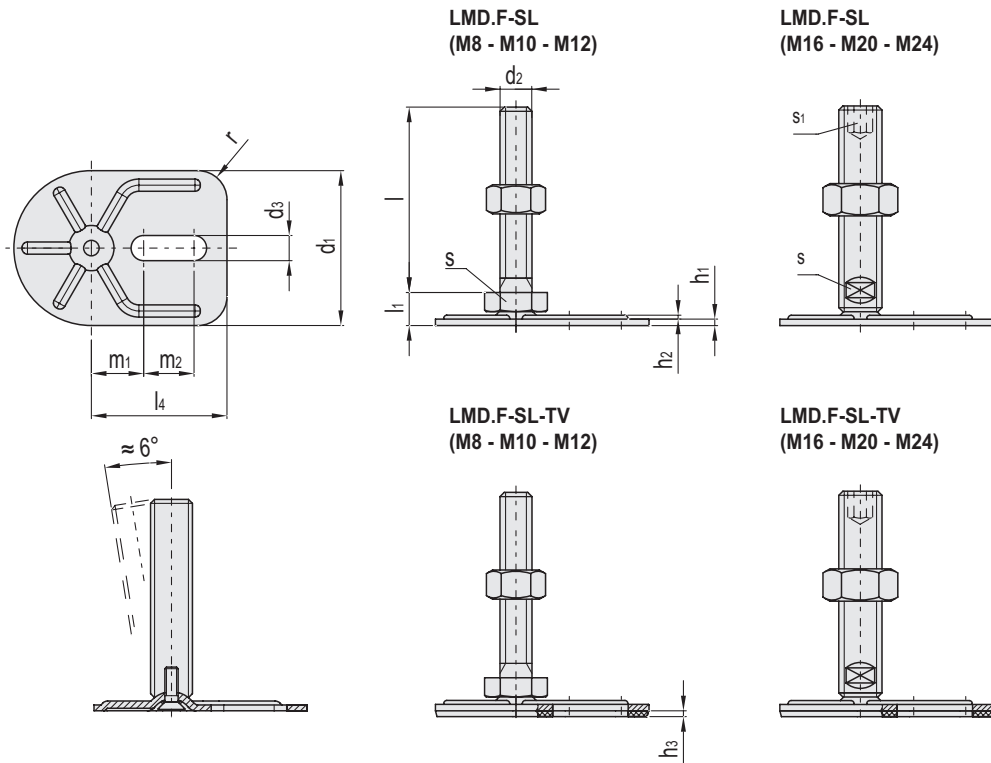
**LMD.F-SL (d2)**

**LMD.F-SL-TV (d2)**

Code	Description	Code	Description	d1	l	l4	d2	d3	h1	h2	h3#	m1	m2	s	r	t	Δ
409101	LMD.F-SL-80-M8	409102	LMD.F-SL-80-M8-TV	80	26	70	M8	13	3	1.3	3	27	26	14	15	8	223
409111	LMD.F-SL-80-M10	409112	LMD.F-SL-80-M10-TV	80	29	70	M10	13	3	1.3	3	27	26	14	15	10	221
409123	LMD.F-SL-80-M12	409124	LMD.F-SL-80-M12-TV	80	32	70	M12	13	3	1.3	3	27	26	17	15	12	237
409135	LMD.F-SL-80-M16	409136	LMD.F-SL-80-M16-TV	80	38	70	M16	13	3	1.3	3	27	26	22	15	16	253
409149	LMD.F-SL-80-M20	409150	LMD.F-SL-80-M20-TV	80	45	70	M20	13	3	1.3	3	27	26	27	15	20	316

Levelling feet and supports

2 # only for TV executions

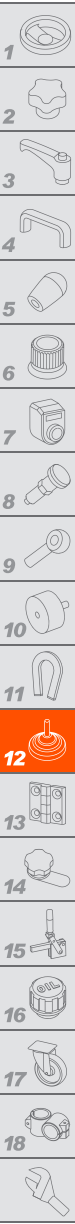


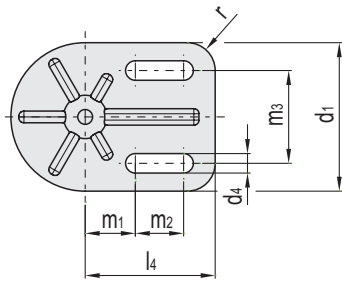
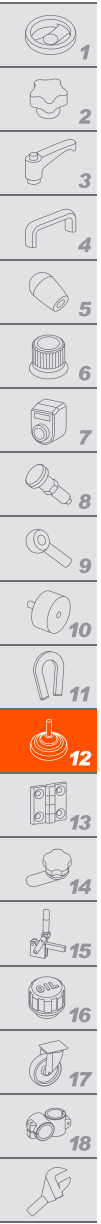
LMD.F-SL (d2 - l)

LMD.F-SL-TV (d2 - l)

Code	Description	Code	Description	d1	l	l1	l4	d2	d3	h1	h2	h3#	m1	m2	s	s1	r	Δ
409103	LMD.F-SL-80-M8x40	409104	LMD.F-SL-80-M8x40-TV	80	40	12	70	M8	13	3	1.3	3	27	26	17	-	15	205
409105	LMD.F-SL-80-M8x50	409106	LMD.F-SL-80-M8x50-TV	80	50	12	70	M8	13	3	1.3	3	27	26	17	-	15	208
409107	LMD.F-SL-80-M8x63	409108	LMD.F-SL-80-M8x63-TV	80	63	12	70	M8	13	3	1.3	3	27	26	17	-	15	212
409113	LMD.F-SL-80-M10x50	409114	LMD.F-SL-80-M10x50-TV	80	50	12	70	M10	13	3	1.3	3	27	26	17	-	15	230
409115	LMD.F-SL-80-M10x60	409116	LMD.F-SL-80-M10x60-TV	80	60	12	70	M10	13	3	1.3	3	27	26	17	-	15	247
409117	LMD.F-SL-80-M10x80	409118	LMD.F-SL-80-M10x80-TV	80	80	12	70	M10	13	3	1.3	3	27	26	17	-	15	256
409119	LMD.F-SL-80-M10x100	409120	LMD.F-SL-80-M10x100-TV	80	100	12	70	M10	13	3	1.3	3	27	26	17	-	15	266
409125	LMD.F-SL-80-M12x60	409126	LMD.F-SL-80-M12x60-TV	80	60	12	70	M12	13	3	1.3	3	27	26	17	-	15	264
409127	LMD.F-SL-80-M12x80	409128	LMD.F-SL-80-M12x80-TV	80	80	12	70	M12	13	3	1.3	3	27	26	17	-	15	250
409129	LMD.F-SL-80-M12x100	409130	LMD.F-SL-80-M12x100-TV	80	100	12	70	M12	13	3	1.3	3	27	26	17	-	15	293
409131	LMD.F-SL-80-M12x125	409132	LMD.F-SL-80-M12x125-TV	80	125	12	70	M12	13	3	1.3	3	27	26	17	-	15	315
409137	LMD.F-SL-80-M16x75	409138	LMD.F-SL-80-M16x75-TV	80	75	18	70	M16	13	3	1.3	3	27	26	12	8	15	311
409139	LMD.F-SL-80-M16x100	409140	LMD.F-SL-80-M16x100-TV	80	100	18	70	M16	13	3	1.3	3	27	26	12	8	15	343
409141	LMD.F-SL-80-M16x125	409142	LMD.F-SL-80-M16x125-TV	80	125	18	70	M16	13	3	1.3	3	27	26	12	8	15	375
409143	LMD.F-SL-80-M16x150	409144	LMD.F-SL-80-M16x150-TV	80	150	18	70	M16	13	3	1.3	3	27	26	12	8	15	407
409145	LMD.F-SL-80-M16x200	409146	LMD.F-SL-80-M16x200-TV	80	200	18	70	M16	13	3	1.3	3	27	26	12	8	15	467
409159	LMD.F-SL-80-M20x75	409160	LMD.F-SL-80-M20x75-TV	80	75	19	70	M20	13	3	1.3	3	27	26	15	10	15	406
409151	LMD.F-SL-80-M20x100	409152	LMD.F-SL-80-M20x100-TV	80	100	19	70	M20	13	3	1.3	3	27	26	15	10	15	456
409153	LMD.F-SL-80-M20x125	409154	LMD.F-SL-80-M20x125-TV	80	125	19	70	M20	13	3	1.3	3	27	26	15	10	15	506
409155	LMD.F-SL-80-M20x150	409156	LMD.F-SL-80-M20x150-TV	80	150	19	70	M20	13	3	1.3	3	27	26	15	10	15	555
409157	LMD.F-SL-80-M20x200	409158	LMD.F-SL-80-M20x200-TV	80	200	19	70	M20	13	3	1.3	3	27	26	15	10	15	646
409162	LMD.F-SL-80-M24x100	409163	LMD.F-SL-80-M24x100-TV	80	100	22	70	M24	13	3	1.3	3	27	26	19	12	15	599
409164	LMD.F-SL-80-M24x125	409165	LMD.F-SL-80-M24x125-TV	80	125	22	70	M24	13	3	1.3	3	27	26	19	12	15	671
409166	LMD.F-SL-80-M24x150	409167	LMD.F-SL-80-M24x150-TV	80	150	22	70	M24	13	3	1.3	3	27	26	19	12	15	743
409168	LMD.F-SL-80-M24x200	409169	LMD.F-SL-80-M24x200-TV	80	150	22	70	M24	13	3	1.3	3	27	26	19	12	15	881

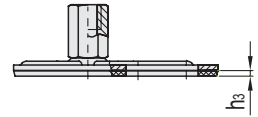
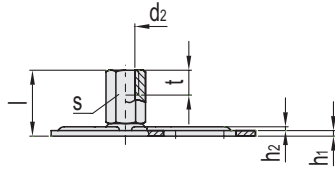
# only for TV executions





LMD.F-2SL

LMD.F-2SL-TV



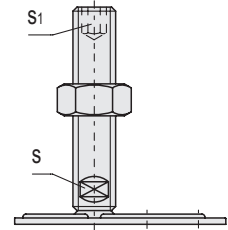
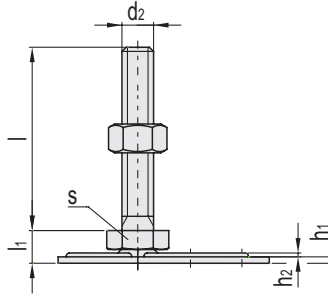
LMD.F-2SL (d2)

LMD.F-2SL-TV (d2)

Code	Description	Code	Description	d1	l	l4	d2	d4	h1	h2	h3#	m1	m2	m3	s	r	t	Δ
409243	LMD.F-2SL-80-M8	409244	LMD.F-2SL-80-M8-TV	80	26	70	M8	10.5	3	1.3	3	27	26	50	14	15	8	217
409253	LMD.F-2SL-80-M10	409254	LMD.F-2SL-80-M10-TV	80	29	70	M10	10.5	3	1.3	3	27	26	50	14	15	10	215
409265	LMD.F-2SL-80-M12	409266	LMD.F-2SL-80-M12-TV	80	32	70	M12	10.5	3	1.3	3	27	26	50	17	15	12	231
409277	LMD.F-2SL-80-M16	409278	LMD.F-2SL-80-M16-TV	80	38	70	M16	10.5	3	1.3	3	27	26	50	22	15	16	247
409291	LMD.F-2SL-80-M20	409292	LMD.F-2SL-80-M20-TV	80	45	70	M20	10.5	3	1.3	3	27	26	50	27	15	20	308

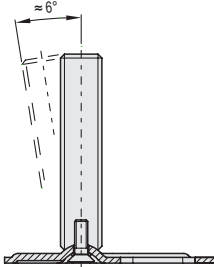
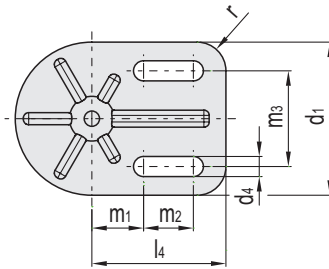
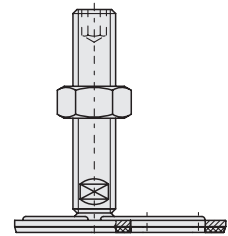
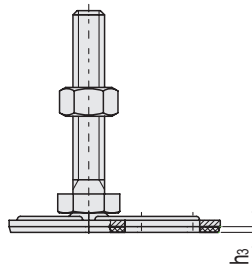
LMD.F-2SL (M8 - M10 - M12)

LMD.F-2SL (M16 - M20 - M24)



LMD.F-2SL-TV (M8 - M10 - M12)

LMD.F-2SL-TV (M16 - M20 - M24)

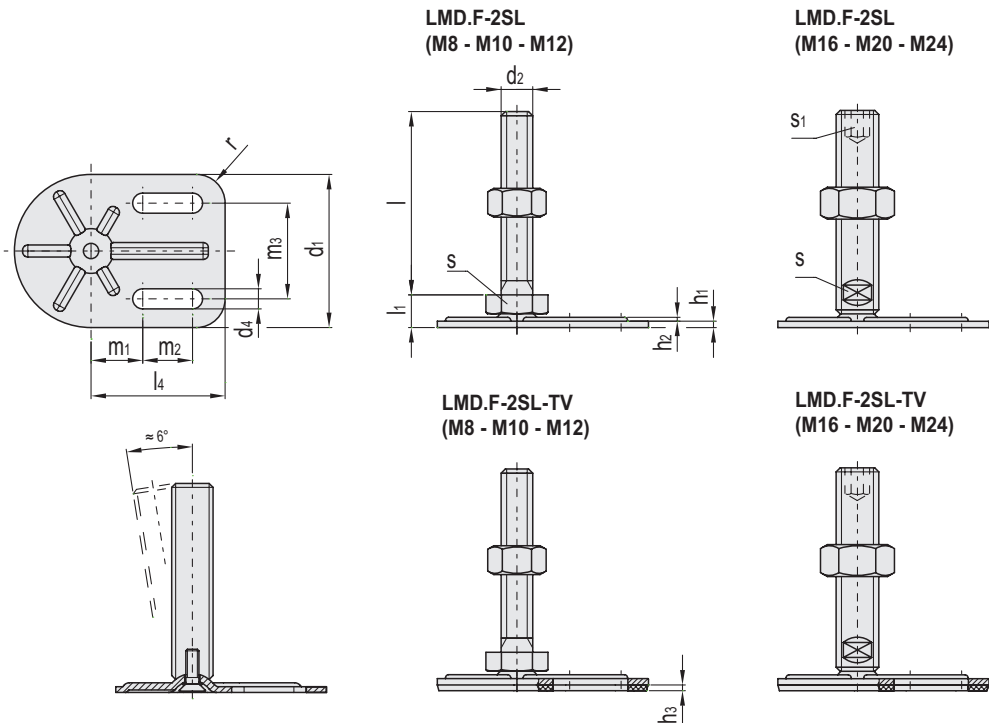


LMD.F-2SL (d2 - l)

LMD.F-2SL-TV (d2 - l)

Code	Description	Code	Description	d1	l	l1	l4	d2	d4	h1	h2	h3#	m1	m2	m3	s	s1	r	Δ
409245	LMD.F-2SL-80-M8x40	409246	LMD.F-2SL-80-M8x40-TV	80	40	12	70	M8	10.5	3	1.3	3	27	26	50	17	-	15	199
409247	LMD.F-2SL-80-M8x50	409248	LMD.F-2SL-80-M8x50-TV	80	50	12	70	M8	10.5	3	1.3	3	27	26	50	17	-	15	202
409249	LMD.F-2SL-80-M8x63	409250	LMD.F-2SL-80-M8x63-TV	80	63	12	70	M8	10.5	3	1.3	3	27	26	50	17	-	15	206
409257	LMD.F-2SL-80-M10x50	409258	LMD.F-2SL-80-M10x50-TV	80	50	12	70	M10	10.5	3	1.3	3	27	26	50	17	-	15	224
409259	LMD.F-2SL-80-M10x60	409260	LMD.F-2SL-80-M10x60-TV	80	60	12	70	M10	10.5	3	1.3	3	27	26	50	17	-	15	241
409261	LMD.F-2SL-80-M10x80	409262	LMD.F-2SL-80-M10x80-TV	80	80	12	70	M10	10.5	3	1.3	3	27	26	50	17	-	15	250
409255	LMD.F-2SL-80-M10x100	409256	LMD.F-2SL-80-M10x100-TV	80	100	12	70	M10	10.5	3	1.3	3	27	26	50	17	-	15	260
409269	LMD.F-2SL-80-M12x60	409270	LMD.F-2SL-80-M12x60-TV	80	60	12	70	M12	10.5	3	1.3	3	27	26	50	17	-	15	258
409271	LMD.F-2SL-80-M12x80	409272	LMD.F-2SL-80-M12x80-TV	80	80	12	70	M12	10.5	3	1.3	3	27	26	50	17	-	15	273
409273	LMD.F-2SL-80-M12x100	409274	LMD.F-2SL-80-M12x100-TV	80	100	12	70	M12	10.5	3	1.3	3	27	26	50	17	-	15	287
409267	LMD.F-2SL-80-M12x125	409268	LMD.F-2SL-80-M12x125-TV	80	125	12	70	M12	10.5	3	1.3	3	27	26	50	17	-	15	309

Levelling feet and supports



LMD.F-2SL (d2 - l)

LMD.F-2SL-TV (d2 - l)

Code	Description	Code	Description	d1	l	l1	l4	d2	d4	h1	h2	h3#	m1	m2	m3	s	s1	r	Δ
409280	LMD.F-2SL-80-M16x75	409281	LMD.F-2SL-80-M16x75-TV	80	75	18	70	M16	10.5	3	1.3	3	27	26	50	12	8	15	305
409282	LMD.F-2SL-80-M16x100	409283	LMD.F-2SL-80-M16x100-TV	80	100	18	70	M16	10.5	3	1.3	3	27	26	50	12	8	15	337
409279	LMD.F-2SL-80-M16x125	409284	LMD.F-2SL-80-M16x125-TV	80	125	18	70	M16	10.5	3	1.3	3	27	26	50	12	8	15	369
409285	LMD.F-2SL-80-M16x150	409286	LMD.F-2SL-80-M16x150-TV	80	150	18	70	M16	10.5	3	1.3	3	27	26	50	12	8	15	401
409287	LMD.F-2SL-80-M16x200	409288	LMD.F-2SL-80-M16x200-TV	80	200	18	70	M16	10.5	3	1.3	3	27	26	50	12	8	15	461
409293	LMD.F-2SL-80-M20x75	409294	LMD.F-2SL-80-M20x75-TV	80	75	19	70	M20	10.5	3	1.3	3	27	26	50	15	10	15	397
409295	LMD.F-2SL-80-M20x100	409296	LMD.F-2SL-80-M20x100-TV	80	100	19	70	M20	10.5	3	1.3	3	27	26	50	15	10	15	447
409297	LMD.F-2SL-80-M20x125	409298	LMD.F-2SL-80-M20x125-TV	80	125	19	70	M20	10.5	3	1.3	3	27	26	50	15	10	15	497
409302	LMD.F-2SL-80-M20x150	409299	LMD.F-2SL-80-M20x150-TV	80	150	19	70	M20	10.5	3	1.3	3	27	26	50	15	10	15	546
409300	LMD.F-2SL-80-M20x200	409301	LMD.F-2SL-80-M20x200-TV	80	200	19	70	M20	10.5	3	1.3	3	27	26	50	15	10	15	637
409305	LMD.F-2SL-80-M24x100	409306	LMD.F-2SL-80-M24x100-TV	80	100	22	70	M24	10.5	3	1.3	3	27	26	50	19	12	15	590
409307	LMD.F-2SL-80-M24x125	409308	LMD.F-2SL-80-M24x125-TV	80	125	22	70	M24	10.5	3	1.3	3	27	26	50	19	12	15	662
409309	LMD.F-2SL-80-M24x150	409310	LMD.F-2SL-80-M24x150-TV	80	150	22	70	M24	10.5	3	1.3	3	27	26	50	19	12	15	734
409311	LMD.F-2SL-80-M24x200	409312	LMD.F-2SL-80-M24x200-TV	80	200	22	70	M24	10.5	3	1.3	3	27	26	50	19	12	15	872

# only for TV executions