



All-pole sine filter, 3-phase, 400 VAC, 5.5 A, for variable frequency drives

Part no. DX-SIN3-006-A
Article no. 184492
Catalog No. DX-SIN3-006-A

Delivery programme

Product range			Accessories
Accessories			Sine filter
Description			three-phase
For use with			DA1, DG1
Max. permissible connection voltage		V AC	500 V + 0% (50/60 Hz)
Rated operational current	I_e	A	6

Design verification as per IEC/EN 61439

Technical data for design verification			
Rated operational current for specified heat dissipation	I_n	A	6
Equipment heat dissipation, current-dependent	P_{vid}	W	80
Static heat dissipation, non-current-dependent	P_{vs}	W	0
Heat dissipation capacity	P_{diss}	W	0
Operating ambient temperature min.		°C	-10
Operating ambient temperature max.		°C	45
IEC/EN 61439 design verification			
10.2 Strength of materials and parts			
10.2.2 Corrosion resistance			Meets the product standard's requirements.
10.2.3.1 Verification of thermal stability of enclosures			Meets the product standard's requirements.
10.2.3.2 Verification of resistance of insulating materials to normal heat			Meets the product standard's requirements.
10.2.3.3 Verification of resistance of insulating materials to abnormal heat and fire due to internal electric effects			Meets the product standard's requirements.
10.2.4 Resistance to ultra-violet (UV) radiation			Meets the product standard's requirements.
10.2.5 Lifting			Does not apply, since the entire switchgear needs to be evaluated.
10.2.6 Mechanical impact			Does not apply, since the entire switchgear needs to be evaluated.
10.2.7 Inscriptions			Meets the product standard's requirements.
10.3 Degree of protection of ASSEMBLIES			Does not apply, since the entire switchgear needs to be evaluated.
10.4 Clearances and creepage distances			Meets the product standard's requirements.
10.5 Protection against electric shock			Does not apply, since the entire switchgear needs to be evaluated.
10.6 Incorporation of switching devices and components			Does not apply, since the entire switchgear needs to be evaluated.
10.7 Internal electrical circuits and connections			Is the panel builder's responsibility.
10.8 Connections for external conductors			Is the panel builder's responsibility.
10.9 Insulation properties			
10.9.2 Power-frequency electric strength			Is the panel builder's responsibility.
10.9.3 Impulse withstand voltage			Is the panel builder's responsibility.
10.9.4 Testing of enclosures made of insulating material			Is the panel builder's responsibility.
10.10 Temperature rise			The panel builder is responsible for the temperature rise calculation. Eaton will provide heat dissipation data for the devices.
10.11 Short-circuit rating			Is the panel builder's responsibility. The specifications for the switchgear must be observed.
10.12 Electromagnetic compatibility			Is the panel builder's responsibility. The specifications for the switchgear must be observed.
10.13 Mechanical function			The device meets the requirements, provided the information in the instruction leaflet (IL) is observed.

Technical data ETIM 6.0

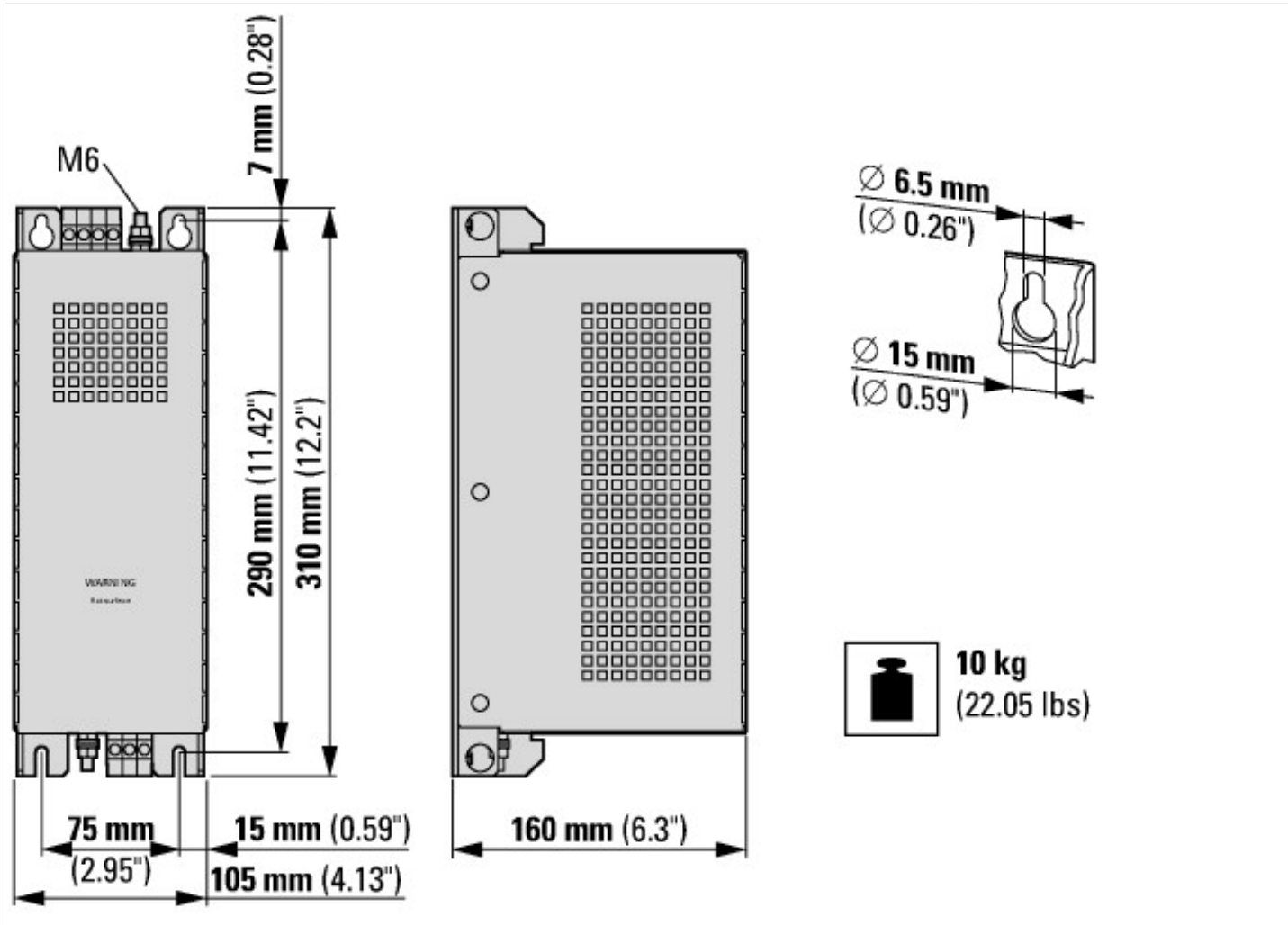
Low-voltage industrial components (EG000017) / Accessories for frequency controller (EC002025)

Electric engineering, automation, process control engineering / Electrical drive / Electrical drive (accessories) / Frequency controller (accessories) (ec@ss8.1-27-02-92-01 [ACN127008])

Type of accessory

Filter

Dimensions



Additional product information (links)

IL009001ZU all pole Sine filter

IL009001ZU all pole Sine filter ftp://ftp.moeller.net/DOCUMENTATION/AWA_INSTRUCTIONS/IL009001ZU2016_02.pdf

MN04020005Z DA1 variable frequency drives, Installation manual

MN04020005Z DA1 variable frequency drives, Installation manual - Deutsch ftp://ftp.moeller.net/DOCUMENTATION/AWB_MANUALS/MN04020005Z_DE.pdf

MN04020005Z DA1 variable frequency drives, Installation manual - English ftp://ftp.moeller.net/DOCUMENTATION/AWB_MANUALS/MN04020005Z_EN.pdf

MN040002 PowerXL DG1 Series VFD, Installation Manual

MN040002 PowerXL DG1 Series VFD, Installation Manual - Deutsch ftp://ftp.moeller.net/DOCUMENTATION/AWB_MANUALS/MN040002_DE.pdf

MN040002 PowerXL DG1 Series VFD, Installation Manual - English ftp://ftp.moeller.net/DOCUMENTATION/AWB_MANUALS/MN040002_EN.pdf

MN040002 PowerXL DG1 Series VFD, Installation Manual - français ftp://ftp.moeller.net/DOCUMENTATION/AWB_MANUALS/MN040002_FR.pdf

MN040002 PowerXL DG1 Series VFD, Installation Manual - italiano ftp://ftp.moeller.net/DOCUMENTATION/AWB_MANUALS/MN040002_IT.pdf

MN040002 PowerXL DG1 Series VFD, Installation Manual - polski ftp://ftp.moeller.net/DOCUMENTATION/AWB_MANUALS/MN040002_PL.pdf