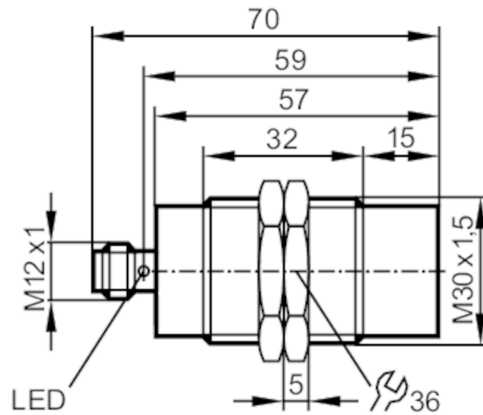


DTM435



RFID read/write head with CAN interface and CANopen protocol

DTMHF INRWCOUS03



Application		
Radio approval for	Europe; USA; Canada; Japan; Australia; China; Taiwan; India; Singapore; Ukraine	
Electrical data		
Operating voltage [V]	9...32 DC	
Current consumption [mA]	< 50 (24 V) / < 80 (12 V)	
Protection class	III	
Operating frequency [MHz]	13,56	
RFID standard	ISO 15693	
Detection zone		
Distance write/read head front [mm]	200	
Distance write/read head side [mm]	100	
Distance to the ID tag [mm]	≤ 55	
Interfaces		
Communication interface	CAN	
CAN		
Protocol	CANopen	
Operating conditions		
Ambient temperature [°C]	-40...85	
Storage temperature [°C]	-40...85	
Protection	IP 67; IP 69K	
Tests / approvals		
EMC	EN 301489-3	V 1.6.1
Shock resistance	EN 60068-2-27	40 g 6 ms / repetitive
	EN 60068-2-27	50 g 11 ms / not repetitive
Vibration resistance	EN 60068-2-6	20 g 10...2000 Hz
Radio approval	EN 302 291-2 V1.1.1 / EN 300 330-2 V1.5.1	
MTTF [years]	475	

DTM435



RFID read/write head with CAN interface and CANopen protocol

DTMHF INRWCOUS03

Mechanical data	
Weight [g]	205
Housing	threaded type
Dimensions [mm]	M30 x 1.5 / L = 70
Thread designation	M30 x 1.5
Materials	housing: stainless steel; Protective cover: PPS; connector housing: PEI

Displays / operating elements		
Display	Preoperational Mode	1 x LED, green lights
	Operational Mode	1 x LED, green flashing
	errors	1 x LED, red flashing
	tag communication	1 x LED, yellow lights

Remarks	
Pack quantity	1 pcs.

Electrical connection	
1	not used
2	U+
3	GND
4	CAN_H
5	CAN_L

Connector: 1 x M12

