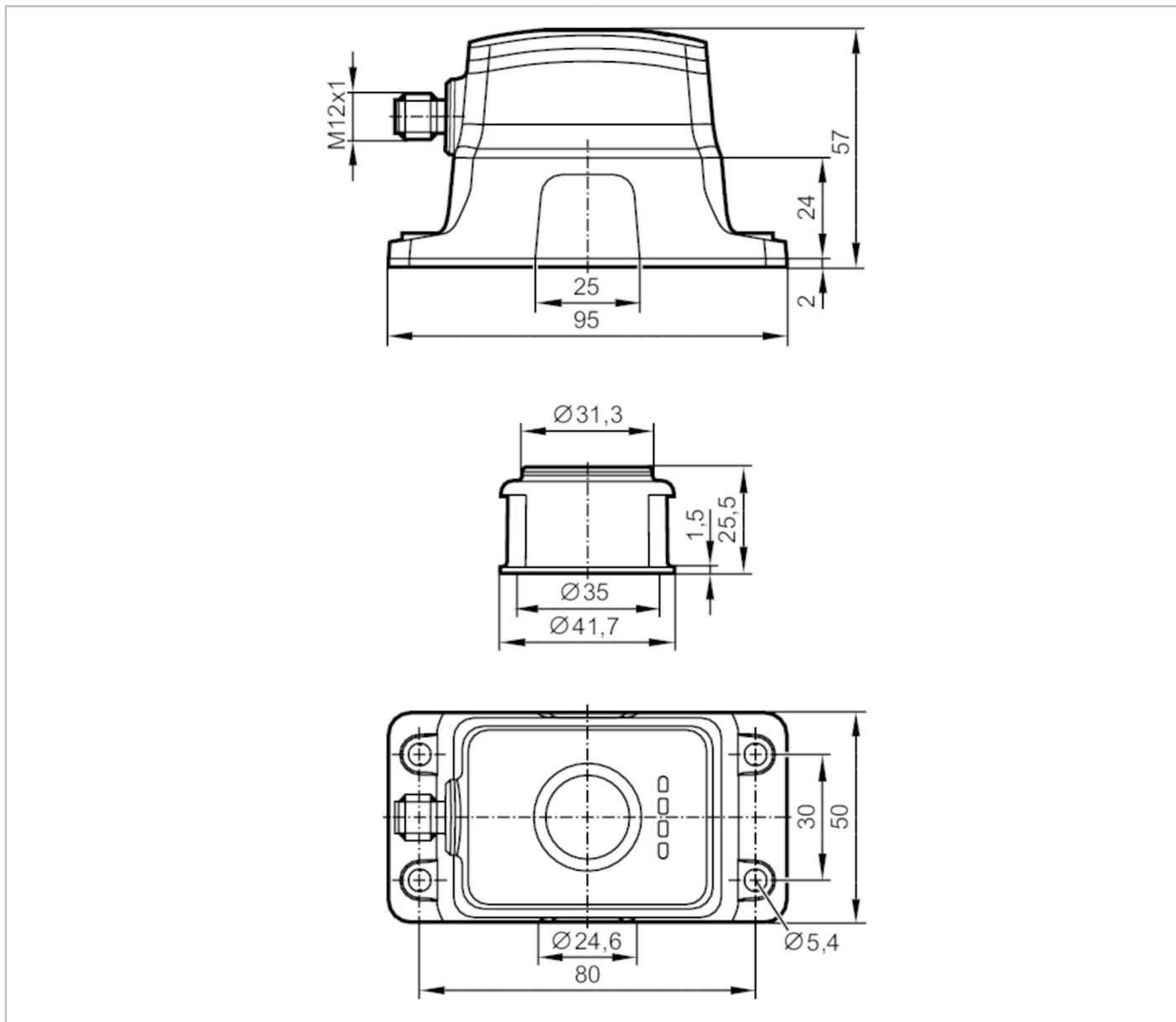


MVQ101



Position sensor for valve actuators

SVS BASIC IO-LINK



Product characteristics	
Electrical design	PNP
Output function	3 x normally open / normally closed; (selectable)
Communication interface	IO-Link
Housing	rectangular
Dimensions [mm]	95 x 50 x 57
Application	
Operating principle	magnetic
Application	angle of rotation detection absolute

MVQ101



Position sensor for valve actuators

SVS BASIC IO-LINK

Electrical data		
Operating voltage	[V]	10...30 DC
Current consumption	[mA]	< 40
Protection class		III
Reverse polarity protection		yes
Max. power-on delay time	[ms]	300
Outputs		
Electrical design		PNP
Output function		3 x normally open / normally closed; (selectable)
Max. voltage drop switching output DC	[V]	2.5
Permanent current rating of switching output DC	[mA]	100
Short-circuit protection		yes
Overload protection		yes
Detection zone		
Max. target speed	[m/s]	1
Detection zone	[°]	360
Accuracy / deviations		
Accuracy	[°]	± 1
Resolution	[°]	0.1
Tolerance	[°]	0.1...15; (Default 10)
Hysteresis	[°]	0.1...5; (Default 3)
Temperature drift	[°/K]	0,02
Repeatability	[°]	0,1
Interfaces		
Communication interface		IO-Link
Transmission type		COM2 (38,4 kBaud)
IO-Link revision		1.1
SDCI standard		IEC 61131-9 CDV
IO-Link device ID		595d / 00 02 53h
Profiles		Smart Sensor: Device Identification; Device Diagnosis; Device Teach Channel; Binary Data Channel; Process Data Variable; Blob; Measurement Data Channel
SIO mode		yes
Required master port type		A
Min. process cycle time	[ms]	4
Operating conditions		
Ambient temperature	[°C]	-25...70
Protection		IP 65; IP 67; (Target puck area dust-protected)

MVQ101



Position sensor for valve actuators

SVS BASIC IO-LINK

Tests / approvals		
EMC	EN 61000-4-2	4 kV CD / 8 kV AD
	EN 61000-4-3	10 V/m
	EN 61000-4-4	2 kV
	EN 61000-4-6	10 V
	EN 55011	class B
Vibration resistance	EN 60068-2-6	
Shock resistance	EN 60068-2-27	
MTTF [years]	410	
UL approval	UL Approval no.	S001
Mechanical data		
Weight [g]	241.5	
Housing	rectangular	
Dimensions [mm]	95 x 50 x 57	
Materials	PA; plug: stainless steel	
Tightening torque [Nm]	1.5	
Displays / operating elements		
Display	operation	1 x LED, green
	switching status	2 x LED, white RGB
Accessories		
Accessories (supplied)	socket head screws 4 x M5 x 20, stainless steel target puck	
Remarks		
Pack quantity	1 pcs.	
Electrical connection - plug		
1	Ub	
2	Out2	
3	GND	
4	Out1 IO-Link	
5	Out3	
Connector: 1 x M12		

MVQ101



Position sensor for valve actuators

SVS BASIC IO-LINK

Connection

