

Gateway Profibus-DP/AS-i, 1 Master

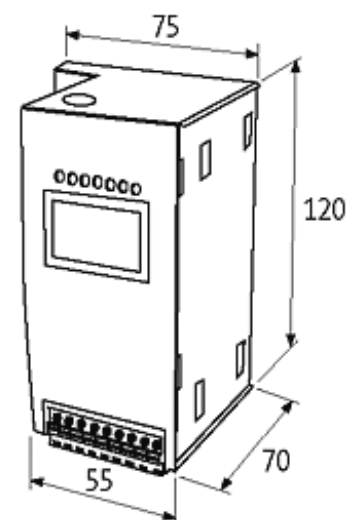
Spec. 3.0, Diagnosis RS232

Gateway-Singlemaster
via pluggable spring clamp terminals on the front 0.5...1.5 mm²
AS-Interface/PROFIBUS DP
Specification 3.0

Other gateways on request. Current manuals, GSD/type data can be downloaded at:
www.murrelektronik.com

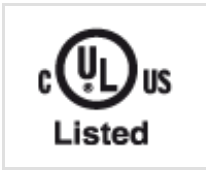
[Link to Product](#)

Illustration



Product may differ from Image

Approvals



Fieldbus

Buttons	4 (mode/set/OK/ESC)
Type	PROFIBUS DP slave
Transfer rate	9.6...12000 kBaud, automatic detection
Addressing	via buttons on the gateway or PROFIBUS DP addresses 1...126 adjustable (default 3)
Connector	SUB-D9
Functions	Illustration of AS-Interface slaves as I/O process data in PROFIBUS DP, full diagnostic configuration via DP-master

AS-Interface

Operating voltage	30 V DC
Operating current	max. 70 mA from AS-Interface (short-circuit and overload protected)
Bus connection	via pluggable spring clamp terminals on the front 0.5...1.5 mm ²
Serial interface/diagnostic	PS2/RS232
Number of slaves	max. 62
Specification	3.0
Cycle time	150 µs × (number of slaves + 1)

General data

Standards	(EN 50295)
Test isolation voltage	min. 500 V
Protection	IP20
Mounting method	DIN-rail mountable (EN 60715)
Temperature range	0...+55 °C (storage temperature -20...+85 °C)
Dimensions H × W × D	120×75×83 mm

Commercial data

country of origin	DE
customs tariff number	85176200
minimum order quantity	1