

**Model Number**

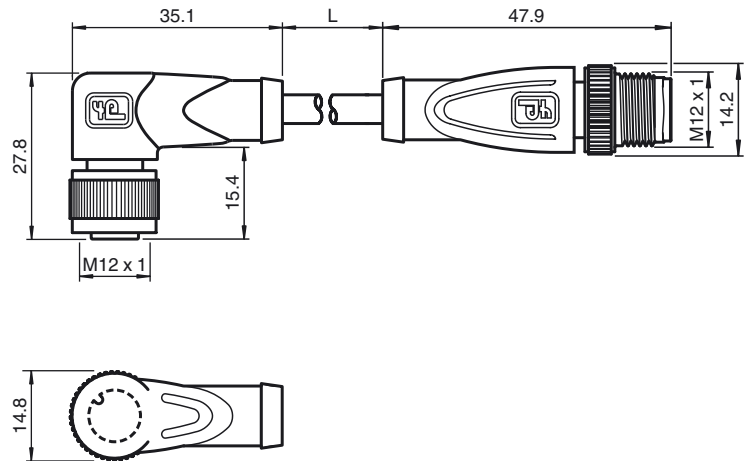
**V1-W-3M-PVC-V1-G**

Connecting cable, M12 to M12, PVC cable 4-pin

**Features**

- Knurled nut suitable for tool assembly
- Immunity to vibration, with mechanical latching
- Gold-plated and machined contacts
- Degree of protection IP67 / IP68 / IP69K

**Dimensions**



**Technical data**

**General specifications**

Number of pins	4
Connection 1	socket
Construction type 1	right angle
Threading 1	M12
Connection 2	Male connector
Construction type 2	straight
Threading 2	M12

**Electrical specifications**

Operating voltage	U <sub>B</sub>	max. 250 V AC/DC
Operating current		max. 4 A
Contact resistance		< 10 mΩ

**Ambient conditions**

Ambient temperature	cable, fixed: -25 ... 70 °C (-13 ... 158 °F) cable, flexing: -5 ... -70 °C (23 ... -94 °F)
Pollution Degree	3

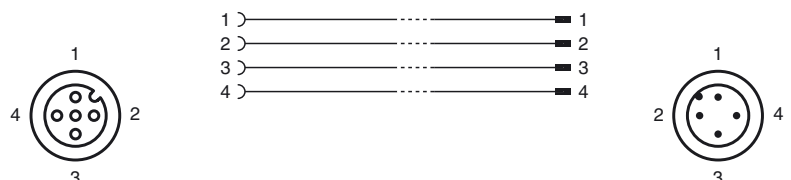
**Mechanical specifications**

Contact elements	spring-loaded contact socket
Pin diameter	1 mm
Degree of protection	IP67 / IP68 / IP69k
Material	
Contacts	CuSn / Au
Contact surface	Au
Body	TPU, green
Cable	PVC
Slotted nut	Diecast zinc
Sleeve connector	Diecast zinc
Core insulation	PVC
Cable	fine-strand, flexible
Sheath diameter	Ø 4.8 mm
Bending radius	> 10 x cable diameter, moving
Color	grey
Cores	4 x 0.34 mm <sup>2</sup>
Conductor construction	19 x 0.15 mm Ø
Length	L 3 m
Flammability	
Contact material	94 HB
Housing	94 V-2

**Compliance with standards and directives**

Standard conformity	
Degree of protection	EN 60529:2000
Standards	IEC 61076-2-101:2008

**Electrical connection**



Release date: 2014-03-25 14:28 Date of issue: 2014-03-25 192042\_eng.xml