



### Model Number

**IQT1-FP-R4-V1**

HF R/W system, ISO 15693

### Features

- Operating frequency 13.56 MHz
- Conforms to ISO 15693
- Dual-LED for function display
- Connection via V1 (M12 x 1) plug connection
- Degree of protection IP67

### Accessories

**IQC21-50P**  
Data carrier

**IQC21-58**  
Data carrier

**IQC21-F125 10pcs**  
Data carrier

**IQC22-C1**  
Data carrier

**IQC22-C4**  
Data carrier

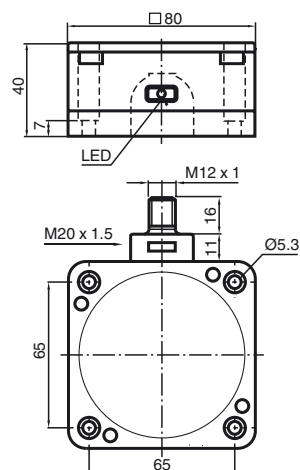
**IQC33-50**  
Data carrier

**IQC21-50PVC**  
Data carrier

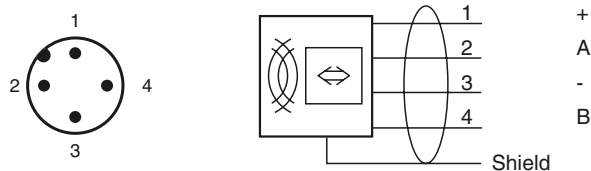
**IQC21-F125**  
Data carrier

**IQC33-20CT**  
Data carrier

### Dimensions



### Electrical connection



### Technical data

#### General specifications

Operating frequency	13.56 MHz
Transfer rate	26 kBit/s
Sensing range	
Read distance	0 ... 130 mm
Write distance	0 ... 130 mm
Width	max. 100 mm
UL File Number	E87056

#### Indicators/operating means

LED green/yellow	green: power on green flashing: read/write attempt performed yellow: data carrier detected
------------------	--

#### Electrical specifications

Rated operating voltage	$U_e$	10 ... 30 V DC, ripple 10 % <sub>SS</sub> , limited power source (EN 60950)
Power consumption	$P_0$	≤ 1.3 W

#### Interface

Physical	RS-485 point-to-point connection
Protocol	ASCII
Transfer rate	38400 Bit/s
Cable length	≤ 3 m

#### Ambient conditions

Ambient temperature	-25 ... 70 °C (-13 ... 158 °F)
Storage temperature	-40 ... 85 °C (-40 ... 185 °F)

#### Mechanical specifications

Degree of protection	IP67
Connection	M12 x 1 connector
Material	
Housing	PBT
Base	diecast aluminum
Encapsulation compound	CY 221/HY 2966
Installation	
Distance between two heads	≥ 150 mm
Mass	approx. 380 g

#### Compliance with standards and directives

Directive conformity		
R&TTE Directive 1995/5/EC	EN 301489-1 V1.8.1 (2008-04), EN 301489-3 V1.4.1 (2002-08), EN 300330-2 V1.3.1 (2006-04), EN 60950-1:2006	

<b>Standard conformity</b>	
Electromagnetic compatibility	EN 61000-6-2, EN 61000-6-4
Degree of protection	EN 60529:2000
RFID	ISO/IEC 15693-2:2006 , ISO/IEC 15693-3:2009 , ISO/IEC 18000-3

**Notes**

**Power supply:**

The device must only be operated with a current source of limited power according to EN 60950.

**Preferences:**

- Interface transfer rate: 38400 bps
- Port settings: 8 data bits, no parity, 1 stop bit, no handshake
- Default address: 01
- Transpondertype: 21

Release date: 2015-04-16 10:01 Date of issue: 2015-04-29 265937\_eng.xml