

**N° 1324-DISTI42-C4048408**

**Dear Customer,**

With this INFINEON Technologies Information Note we would like to inform you about the following

## **Marking Identification for SOIC Gen 1 and 2 Products**

Infineon Technologies AG  
Postal Address Headquarters: Am Campeon 1-12, D-85579 Neubiberg, Phone +49 (0)89 234-0  
Chairman of the Supervisory Board: Wolfgang Mayrhuber  
Management Board: Dr. Reinhard Ploss (CEO), Dominik Asam, Dr. Helmut Gassel, Jochen Hanebeck  
Registered Office: Neubiberg Commercial Register  
Amtsgericht München HRB 126492

**Marking Identification for SOIC Gen 1 and 2 Products**

► **Products affected:**

See attached for affected parts.

► **Detailed Change Information:**

**Subject:** Marking Identification for SOIC Gen 1 and 2 Products assembled in Carsem Malaysia and Hana Thailand.

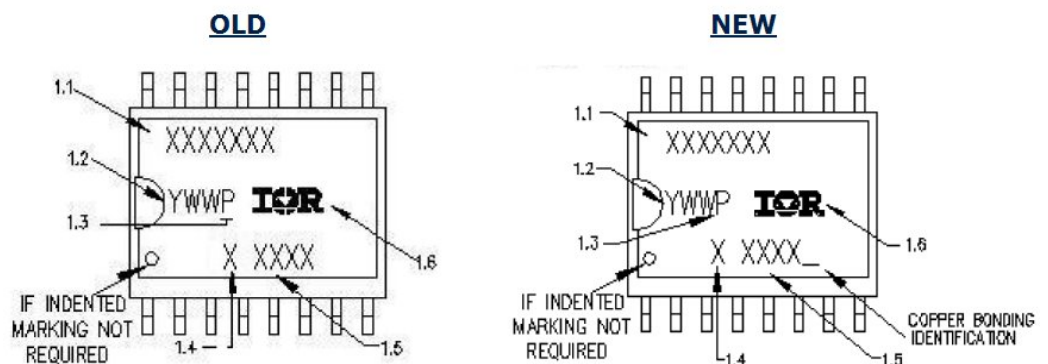
**Reason:** This marking change is linked to PCN 1068 for Cu wire BOM Conversion. The product marking will be updated to include an underscore after the last digit of the Lot code to identify the part as a Copper-wire based device.

**Description:** Marking Identification for SOIC Gen 1 and 2 Products

**For SOIC Gen 1 and 2 Products**

	<b>OLD</b>	<b>NEW</b>
<b>Marking Identification</b>	<b>Current Marking</b>	<b>Underscore after the last digit of the Lot code</b>

■ **Comparison in OLD/NEW procedure (overview)**



N° 1324-DISTI42-C4048408

<b>▶ Product Identification:</b>	Traceability assured via date code.
<b>▶ Impact of Change:</b>	The form will change due to change in marking.
<b>▶ Attachments:</b>	1324-DISTI42-C4048408-AffectedParts.xlsx
<b>▶ Intended start of delivery:</b>	01-Jan-2018

If you have any questions, please do not hesitate to contact your local Sales office.