

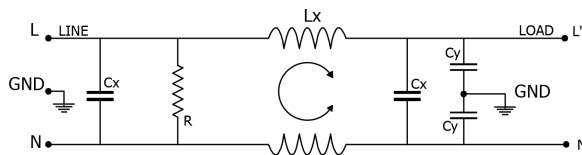
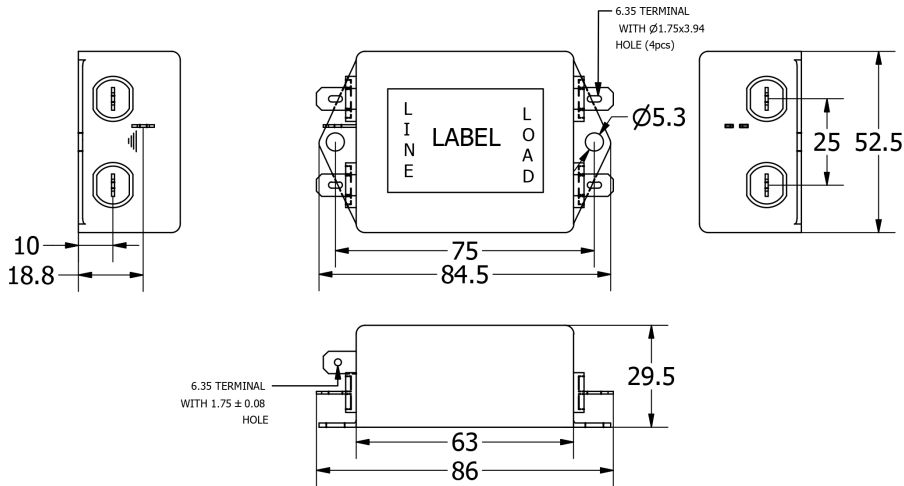


# Single Stage Power Line Filters Chassis Mount

**multicomp** PRO

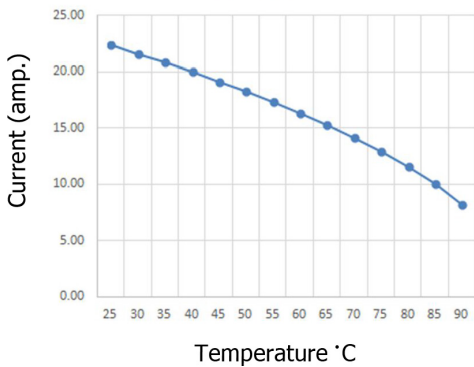
MP007479

## Mechanical Details



ELECTRICAL SCHEMATIC

## Derating curve



## 50Ω to 50Ω Typical Insertion Loss

Frequency MHz	0.01	0.1	0.5	1	2	5	10
Common DB	19	40	49	45	45	48	55
Differential DB	18	38	58	52	51	54	67

Dimensions : Millimetres

Newark.com/multicomp-pro  
Farnell.com/multicomp-pro  
Element14.com/multicomp-pro

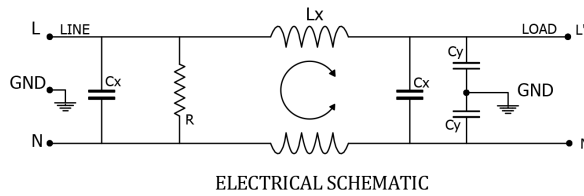
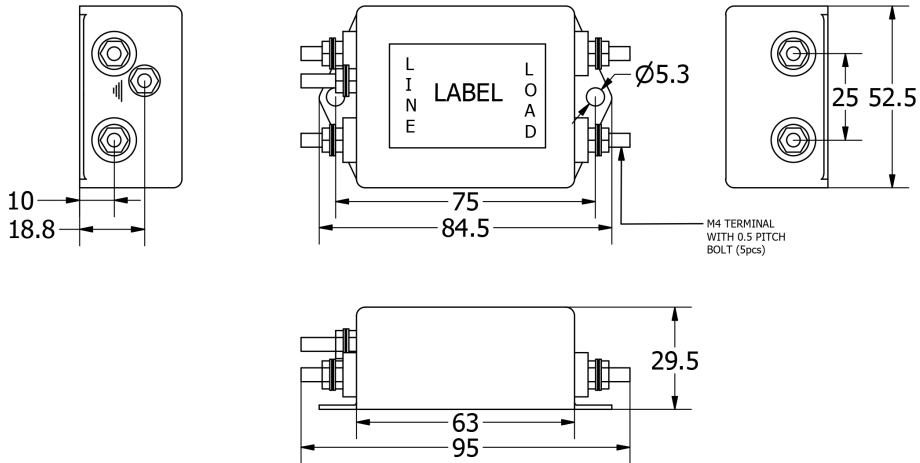
**multicomp** PRO

# Single Stage Power Line Filters Chassis Mount

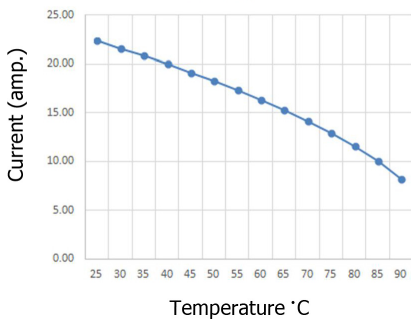
**multicomp** PRO

MP007480

### Mechanical Details



Derating curve



50Ω to 50Ω Typical Insertion Loss

Frequency MHz	0.01	0.1	0.5	1	2	5	10
Common DB	19	40	49	45	45	48	55
Differential DB	18	38	58	52	51	54	67

Dimensions : Millimetres

# Single Stage Power Line Filters Chassis Mount



## Specification

	MP007476	MP007478	MP007479	MP007480
Rated Voltage (MAX)	6 AMP,120V AC to 250V AC 50HZ to 60HZ	10 AMP,120V AC to 250V AC 50HZ to 60HZ	20 AMP,120V AC to 250V AC 50HZ to 60HZ	
Hi-pot Rating (One Minute)	Line to Ground: 3000V DC			
	Line to Line : 1100V DC			
Maximum Leakage Line to Ground	0.43mA @120V AC 60 Hz			
	0.74mA @250V AC 50 Hz			
Climate Class: 25/100/21	Temperature Range: -25°C to +100°C			
	Overload Current: 1.5x Rated ct. for 1 min.			

## Part Number Table

Description	Part Number
Power Line Filter, General Purpose, 250V AC, 6 A, Single Phase, 1 Stage, Quick Connect	MP007476
Power Line Filter, General Purpose, 250V AC, 10 A, Single Phase, 1 Stage, Quick Connect	MP007478
Power Line Filter, General Purpose, 250V AC, 20 A, Single Phase, 1 Stage, Quick Connect	MP007479
Power Line Filter, General Purpose, 250V AC, 20 A, Single Phase, 1 Stage, Stud Terminals	MP007480

**Important Notice :** This data sheet and its contents (the "Information") belong to the members of the AVNET group of companies (the "Group") or are licensed to it. No licence is granted for the use of it other than for information purposes in connection with the products to which it relates. No licence of any intellectual property rights is granted. The Information is subject to change without notice and replaces all data sheets previously supplied. The Information supplied is believed to be accurate but the Group assumes no responsibility for its accuracy or completeness, any error in or omission from it or for any use made of it. Users of this data sheet should check for themselves the Information and the suitability of the products for their purpose and not make any assumptions based on information included or omitted. Liability for loss or damage resulting from any reliance on the Information or use of it (including liability resulting from negligence or where the Group was aware of the possibility of such loss or damage arising) is excluded. This will not operate to limit or restrict the Group's liability for death or personal injury resulting from its negligence. Multicomp Pro is the registered trademark of Premier Farnell Limited 2019.

Newark.com/multicomp-pro  
Farnell.com/multicomp-pro  
Element14.com/multicomp-pro

