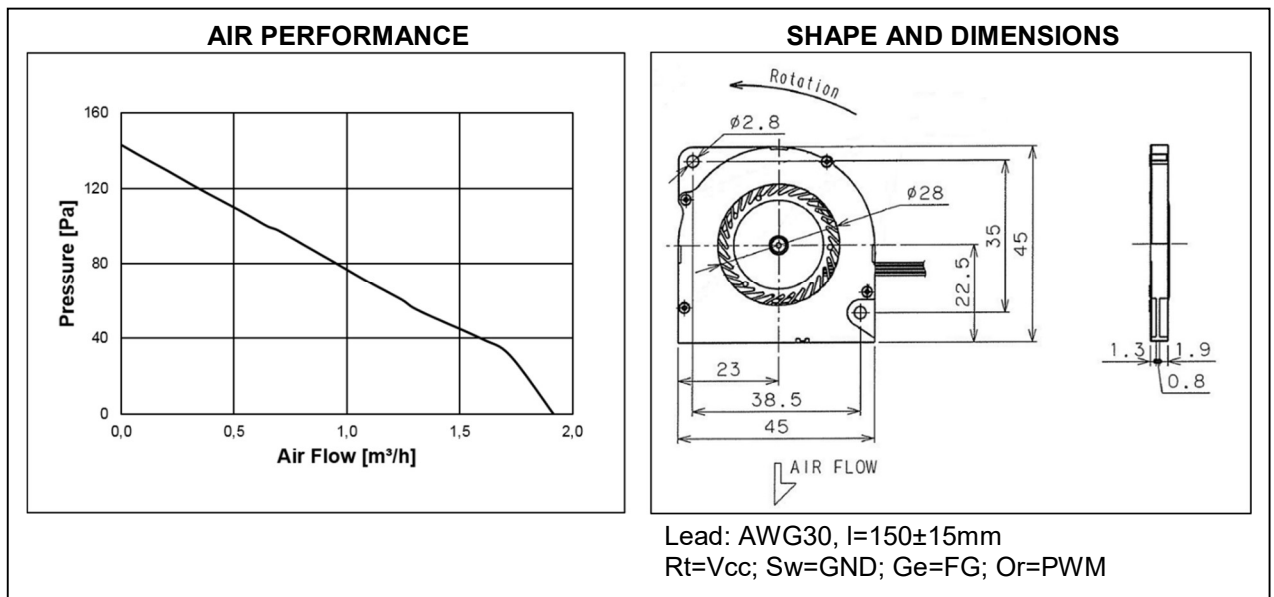


HY45AB05PSE26AP00

Eco Fan



PERFORMANCE

CE	HY45AB05PSE26AP00
Operating voltage [VDC]	4.5 ... 5 ... 5.5
Typ. operating current [mA]	180
Max. start current [mA]	400
Max. air flow [l/min – m³/h]	32 – 1.92
Max. pressure [Pa – mmH ² O]	143 – 14.6
Typ. noise (1m distance from air intake side) [dB(A)]	31
Typ. rotor speed [min ⁻¹]	7700
FG [Imp/rotation]	2
PWM input voltage range [VDC]	2.5 ... Vcc
Operating temperature [°C]	-10 ... +60
Life expectancy L10/MTBF@ 40°C [h]	40000/210000
Bearing system	Magfix sleeve bearing
Weight [g]	12
Packing Unit [St.]	50-100-500

This **SEPA**® high-tech miniature fan is suitable for industrial use and has a remarkable air flow performance despite its small dimensions. Thanks to the extremely low power input, this fan is highly suitable for battery-operated devices. It is permanently protected electrically against reverse polarity, blocking and thermal overloading. Due to the low rotor weight and precision balancing, it is virtually vibration-free. It is also insensitive to shock.

Subject to technical changes • 09/18

HY45AB05PSE26AP00

Eco Fan

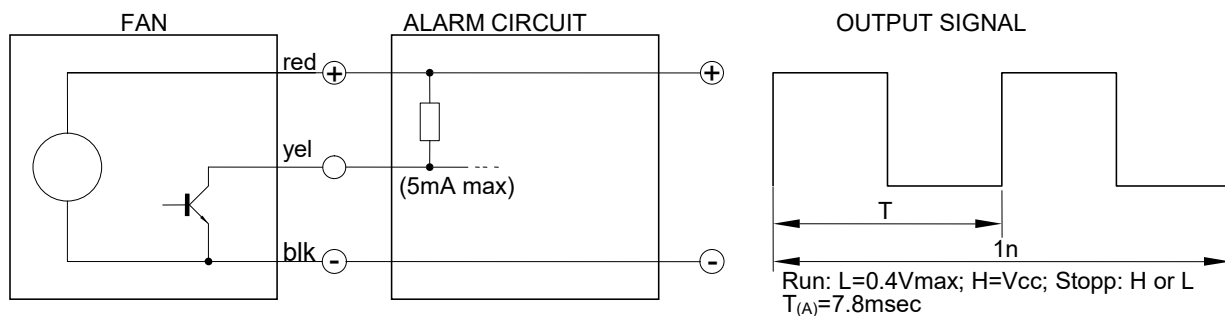


• ALARM SIGNAL

The **SEPA**® fans HY45AB05PSE26AP00 include a pulse output which allows monitoring the correct function of the fan.

The pulse is like a rectangular wave, the frequency correlates to 2x rotor speed. The amplitude appears periodically. At blocked rotor the output signal could be L ($\leq 0,4V$) or H (V_{cc}).

IMPORTANT: The pulse output is not protected against short circuit and must not connect to GND or V_{cc} without pre-resistor. A pull-up-resistor is needed. Do not connect not used pulse output (insolate).



• PWM

The **SEPA**® fans HY45AB05PNK00A includes a TTL compatible PWM control input:

- $L=0 \dots 0.7 V_{max}$; $H=2.5 \dots V_{cc}$
- $f=23 \text{ kHz}$
- Pulse width modulation 30...100%
- Duty cycle minimum 35%
- If fan power supply is off, do not input control signals into the PWM terminal!

The fans HY45AB05PSE26AP00 have tinned lead wire ends (without connector).

Do not touch the rotor! Please note the handling specification!

• ACCESSORIES

Connector: on request

• ORDER INFORMATION

HY45AB05PSE26AP00 **SEPA**® Radial fan, 45x45x4mm, 5VDC, Magfix sleeve bearing, Tacho, PWM, **CE**
111111531

SEPA® is the brand name for fans and CPU cooler made by Nippon Keiki Works LTD., Tokyo

Subject to technical changes • 09/18