

Fulcrum Pins

23400.0105

Product Description



Material

Fulcrum Pins

- Stainless steel 1.4021, heat-treated

Safety ring

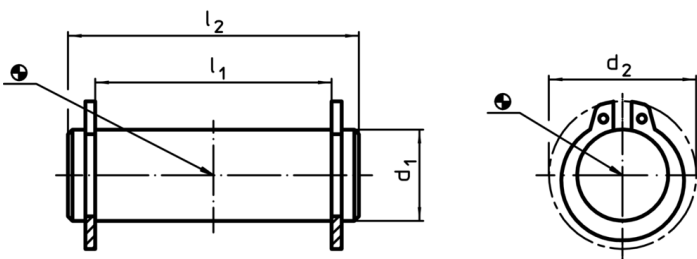
- Stainless steel 1.4310

More information

References

Suitable for eccentric levers EH 23390. and similar applications.

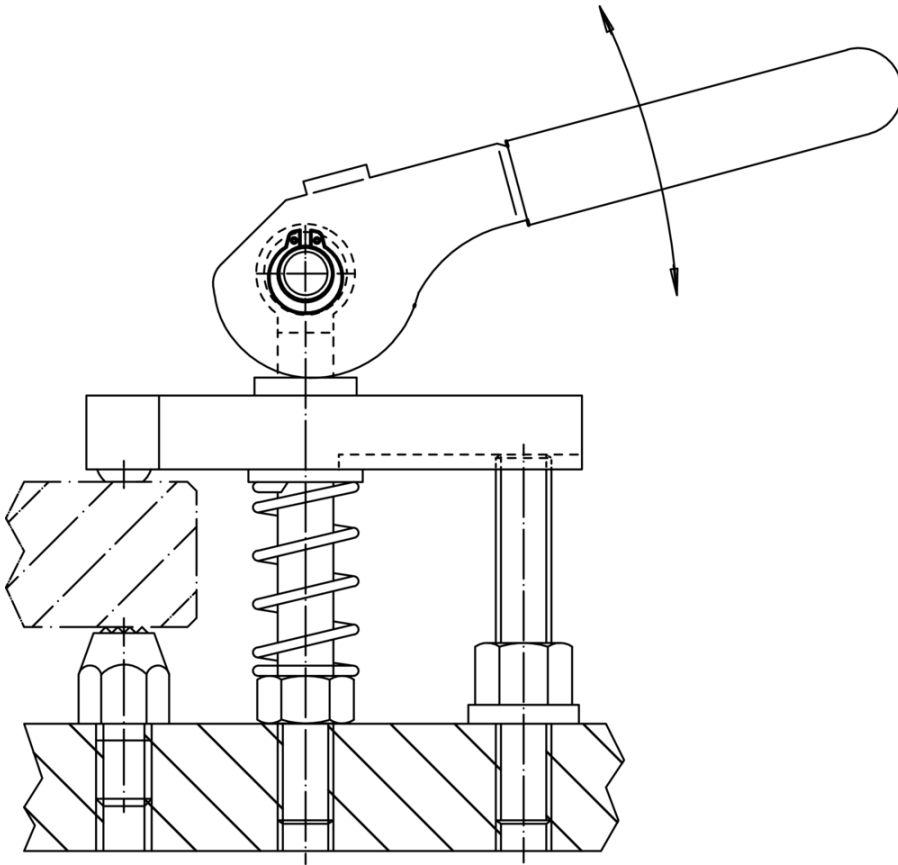
Drawing



Order information

Dimensions				[g]	Art. No.
d ₁	l ₁	d ₂	l ₂		
f8	-0.5				
[mm]					
10	29	17	35	21	23400.0105

Application example



Compliance

RoHS compliant

Compliant according to Directive 2011/65/EU and Directive 2015/863

Does not contain SVHC substances

No SVHC substances with more than 0.1% w/w contained - SVHC list [REACH] as of 10.06.2022

Does not contain Proposition 65 substances

No Proposition 65 substances included

<https://www.P65Warnings.ca.gov/>

Free from Conflict Minerals

This product does not contain any substances designated as "conflict minerals" such as tantalum, tin, gold or tungsten from the Democratic Republic of Congo or adjacent countries.