

Line laser, green, 532 nm, 110 °, 10 mW

LD532-10-5(20x80)110DEG-C1000
Order Number: 70117110

Main Parameters (*)	min	typ	max	Unit
Wavelength		532		nm
Optical Output Power		10		mW
Operating Voltage	4.5	5	5.5	V DC
Operating Current	50	150	400	mA
Operating Temperature	15		30	°C
Storage Temperature	-40		80	°C

Main Data

Warranty	1 years
----------	---------

Technical Parameters

Lifetime	> 5,000 h
RoHS	yes

Optical Parameters

Beam Shape	Line
Laser Class	1M
Divergence	D - 0.5 mrad
Fan Angle	110 °
Line Thickness	<1.5mm@3m
Operating Distance	3 m
Optics	glass lens AR coated
Beam Mode	TEM00
Laser technology	Solid State (YVO4+KTP)
Stability	+/- 20% @ 15-30°C
Focus	fixed (3000mm)
Warm up time	< 15 min

Electrical Parameters

Potential of Housing	isolated
Power Supply	LFNT-5

Mechanical Parameters

Size	Ø20x80 mm
Material	aluminium
Cable length	1,000 mm
Wire type	22AWG, black, 3,6mm
Output Aperture	5 mm
Housing Color	black
Weight	57 g
Stripping of wire	5 mm

(*) Over the complete operating temperature range

Features



- Operating Voltage 5 V DC
- Laser Class 1M
- Uniform line thickness
- Fixed focus
- Image processing

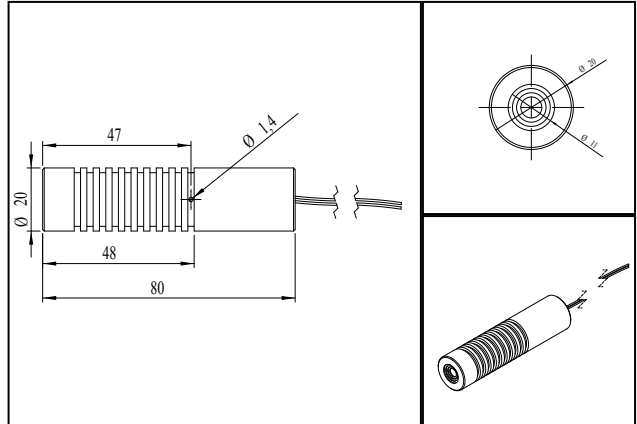
Picture



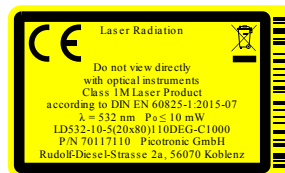
Cable color

Ground		black	GND
positive		red	4.5 - 5.5, typ 5 V DC

Drawing



Safety Label



Valid Revision

6 | 11-FEB-2021