

Spur Gears made from POM, Black, wide Version, with One-Sided Hub, Straight Tooth System, Milled Teeth

Tooth quality 10d25 DIN 3967.

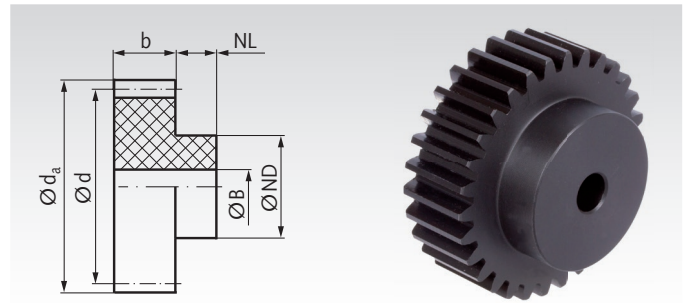
Pressure angle 20°.

Untoleranced dimensions in accordance with DIN ISO 2768 m.

Temperature limit: continuous 100°C, only short time 140°C.

Water absorption (satiated) 0.5% Cws.

Other material reference values page 1057.

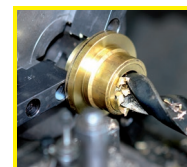


Order. Details: e.g.: Product No. 293 110 10, Spur Gear, POM black, Module 1, 10 Teeth

Module 1 Tooth Width b = 15 mm

| Product No. | Number of teeth | b mm | da mm | d mm | NL mm | ND mm | B ^{JS10} mm | perm. MT* Nm | Weight g |
|-------------|-----------------|------|-------|------|-------|-------|----------------------|--------------|----------|
| 293 110 10 | 10 | 15 | 12 | 10 | 10 | 8 | 4 | 0,12 | 1,6 |
| 293 110 12 | 12 | 15 | 14 | 12 | 10 | 9 | 4 | 0,17 | 2,2 |
| 293 110 13 | 13 | 15 | 15 | 13 | 10 | 10 | 4 | 0,20 | 3,0 |
| 293 110 14 | 14 | 15 | 16 | 14 | 10 | 11 | 4 | 0,23 | 4,0 |
| 293 110 15 | 15 | 15 | 17 | 15 | 10 | 12 | 6 | 0,26 | 4,3 |
| 293 110 16 | 16 | 15 | 18 | 16 | 10 | 13 | 6 | 0,27 | 5,0 |
| 293 110 17 | 17 | 15 | 19 | 17 | 10 | 14 | 6 | 0,29 | 6,0 |
| 293 110 18 | 18 | 15 | 20 | 18 | 10 | 15 | 6 | 0,33 | 6,8 |
| 293 110 19 | 19 | 15 | 21 | 19 | 10 | 15 | 6 | 0,39 | 7,0 |
| 293 110 20 | 20 | 15 | 22 | 20 | 10 | 16 | 6 | 0,44 | 8,3 |
| 293 110 21 | 21 | 15 | 23 | 21 | 10 | 16 | 6 | 0,50 | 8,0 |
| 293 110 22 | 22 | 15 | 24 | 22 | 10 | 18 | 6 | 0,54 | 9,0 |
| 293 110 23 | 23 | 15 | 25 | 23 | 10 | 18 | 6 | 0,60 | 10,0 |
| 293 110 24 | 24 | 15 | 26 | 24 | 10 | 20 | 8 | 0,68 | 11,5 |
| 293 110 25 | 25 | 15 | 27 | 25 | 10 | 20 | 8 | 0,74 | 12,3 |
| 293 110 26 | 26 | 15 | 28 | 26 | 10 | 20 | 8 | 0,81 | 13,0 |
| 293 110 27 | 27 | 15 | 29 | 27 | 10 | 20 | 8 | 0,89 | 14,0 |
| 293 110 28 | 28 | 15 | 30 | 28 | 10 | 20 | 8 | 0,96 | 14,9 |
| 293 110 30 | 30 | 15 | 32 | 30 | 10 | 20 | 8 | 1,14 | 16,8 |
| 293 110 32 | 32 | 15 | 34 | 32 | 10 | 25 | 8 | 1,32 | 21,3 |
| 293 110 35 | 35 | 15 | 37 | 35 | 10 | 25 | 8 | 1,64 | 25,0 |
| 293 110 36 | 36 | 15 | 38 | 36 | 10 | 25 | 8 | 1,74 | 25,7 |
| 293 110 38 | 38 | 15 | 40 | 38 | 10 | 25 | 8 | 1,98 | 28,0 |
| 293 110 40 | 40 | 15 | 42 | 40 | 10 | 25 | 8 | 2,22 | 30,7 |
| 293 110 42 | 42 | 15 | 44 | 42 | 10 | 25 | 8 | 2,49 | 35,0 |
| 293 110 45 | 45 | 15 | 47 | 45 | 10 | 30 | 8 | 2,94 | 40,6 |
| 293 110 48 | 48 | 15 | 50 | 48 | 10 | 30 | 8 | 3,42 | 45,0 |
| 293 110 50 | 50 | 15 | 52 | 50 | 10 | 30 | 8 | 3,68 | 48,4 |
| 293 110 52 | 52 | 15 | 54 | 52 | 10 | 35 | 8 | 3,81 | 55,0 |
| 293 110 55 | 55 | 15 | 57 | 55 | 10 | 40 | 8 | 4,04 | 65,0 |
| 293 110 56 | 56 | 15 | 58 | 56 | 10 | 40 | 8 | 4,11 | 66,4 |
| 293 110 60 | 60 | 15 | 62 | 60 | 10 | 40 | 8 | 4,43 | 73,9 |
| 293 110 65 | 65 | 15 | 67 | 65 | 10 | 45 | 10 | 4,82 | 90,0 |
| 293 110 70 | 70 | 15 | 72 | 70 | 10 | 50 | 10 | 5,21 | 100 |
| 293 110 72 | 72 | 15 | 74 | 72 | 10 | 50 | 10 | 5,36 | 109 |
| 293 110 75 | 75 | 15 | 77 | 75 | 10 | 50 | 10 | 5,58 | 116 |
| 293 110 80 | 80 | 15 | 82 | 80 | 10 | 60 | 10 | 5,96 | 141 |
| 293 110 85 | 85 | 15 | 87 | 85 | 10 | 60 | 10 | 6,33 | 154 |
| 293 110 90 | 90 | 15 | 92 | 90 | 10 | 60 | 10 | 6,71 | 169 |
| 293 111 00 | 100 | 15 | 102 | 100 | 10 | 60 | 10 | 7,44 | 200 |
| 293 111 20 | 120 | 15 | 122 | 120 | 10 | 60 | 10 | 8,91 | 240 |

* Basis of calculations see page 235.



**Reworking within
24h-service possible.
Custom made parts
on request.**