




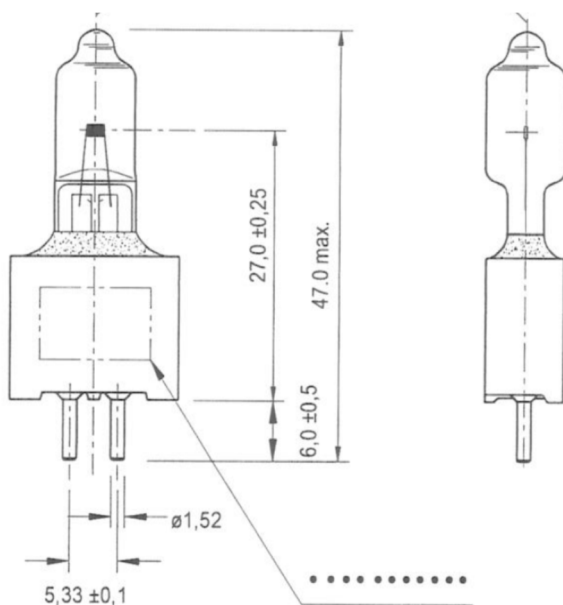
Medical

	Type 55169 10,8V 30W G5,3
	Ordering - No. 55169
Product Description	Special Halogen Lamp
Features	Quartz Bulb, Exactly positioned Filament
Applications	Medical, Microscope, Analysis, Projection

Technical Details

Rated Voltage (V)	10,8V
Wattage (W)	30± 6%
Luminous Flux (lm)	570 ± 12%
Average Lifetime (h)	1000
Base	G5,3
Overall Length (mm)	max. 47,0
Bulb Diameter (mm)	max. 13,5
Light Center Length (mm)	27,0 ± 0,25
Operating Position	h90
Packaging Configuration	100 pcs.
Environmental Remark	Product don't contain lead or mercury and is conform with Directive 2011/95/EC "Restriction of the use of certain hazardous substances in electrical and electronic equipment".

Drawing (in mm)



valid from	24.03.2017 –V1– PN17/0144
replace for	-
file	55169.100.pdf