

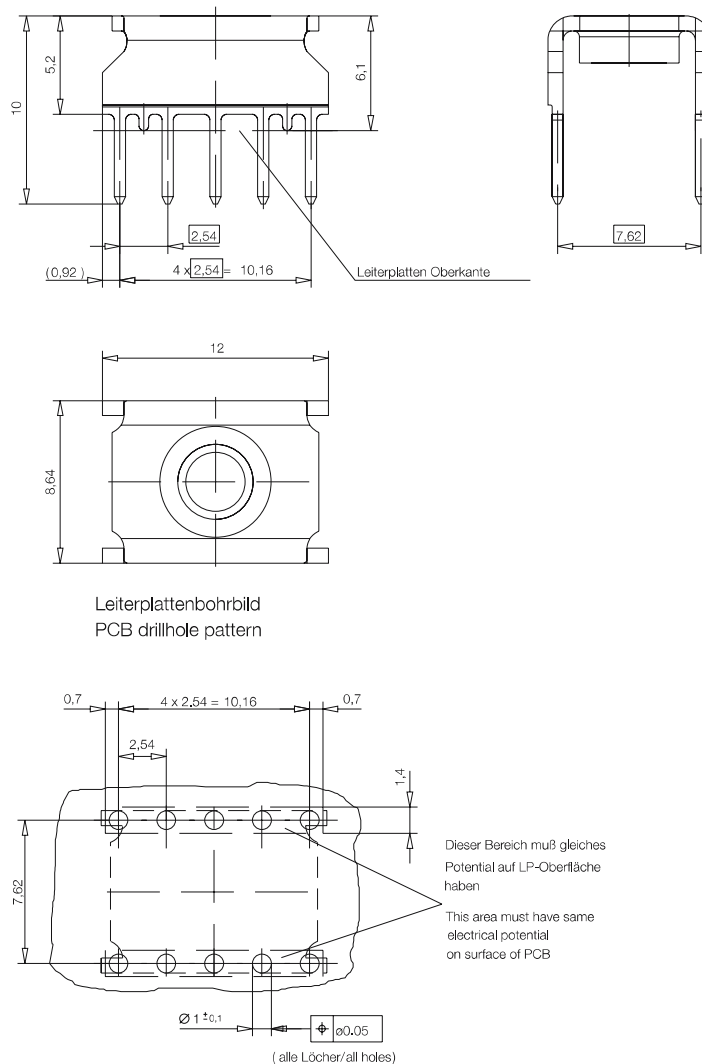


2.54 mm Power Taps for Backplanes 10 pin with Screw Mount Terminal, Solder



The ERNI Power Tap is designed to bring power to printed circuit board applications. It allows for wire-to-board connections with common terminals. The 10 pin version has five solder pins per row with a two-row PCB layout. The operating current is determined by characteristics of the PCB and the cable termination. This power supply cable can be connected with a screw mount terminal accommodating M3, M4, 6-32UNC or 8-32UNC screws.

Dimensional Drawings

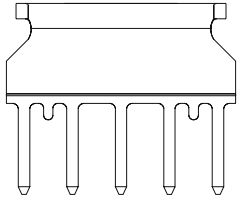
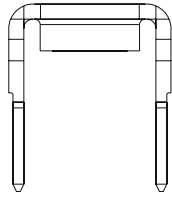


All dimensions in mm

2.54 mm Power Taps for Backplanes 10 pin with Screw Mount Terminal, Solder



Ordering Information

Configuration	Termination	No. of Pins	Height	Part Number
				
10 pin Version; M3	Solder	10	10 mm	214785
10 pin Version; M4	Solder	10	10 mm	214786
10 pin Version; 6-32UNC	Solder	10	10 mm	214784
10 pin Version; 8-32UNC	Solder	10	10 mm	214783