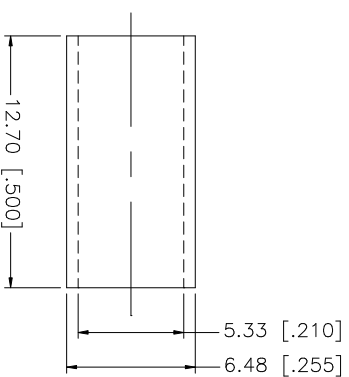
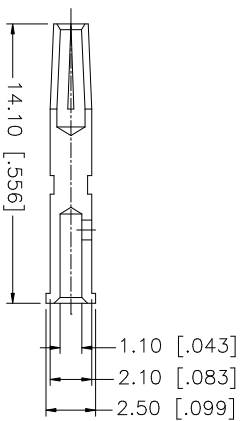
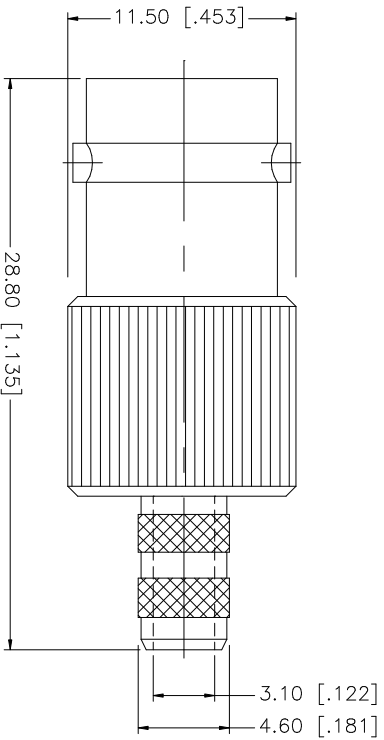
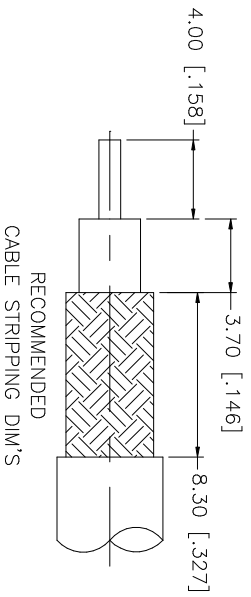


REV.	DATE	DESCRIPTION
A	01/04/04	UPDATE DRAWING FORMAT



NOTE:

1. CRIMPED FERRULE
HEX CRIMP SIZE .213"
2. CRIMPED CONTACT PIN
HEX CRIMP SIZE .068"

QTY	FINISH	MATERIAL	DESCRIPTION
1	NICKEL	COPPER	FERRULE
1	GOLD	PHOS. BRONZE	CONTACT PIN
1	NATURAL	TEFLON	INSULATOR
1	NICKEL	BRASS	HOUSING/BODY

APPROVALS	DATE
DRAWN G.R.S.	01/04/04
CHECKED	
ISSUED	
SHEET 1 OF 1	

<p>Amphenol Comnex</p> <p>BNC CRIMP JACK (FOR RG-58C/U CABLE) 50 ohms</p>	
PART NO.	112144

CAD FILE	C:/112/112144.DWG	DWG. NO.	112144.DWG	REV.	A	SIZE	A	SCALE	NA
----------	-------------------	----------	------------	------	---	------	---	-------	----

UNLESS OTHERWISE SPECIFIED DIMENSIONS ARE IN MILLIMETERS. DIMENSIONS IN [] ARE IN INCHES AND FOR CUSTOMER REFERENCE ONLY.
 UNLESS OTHERWISE SPECIFIED TOLERANCES FOR MILLIMETERS ARE:
 A - 0.5 - 8mm ± 0.20mm
 B - 8 - 30mm ± 0.40mm
 30 - 120mm ± 0.50mm
 UNLESS OTHERWISE SPECIFIED TOLERANCES FOR INCHES ARE:
 .020 - .315 = ± 0.002"
 .315 - 1.180 = ± 0.015"
 1.180 - 4.724 = ± 0.020"

DO NOT SCALE DRAWING