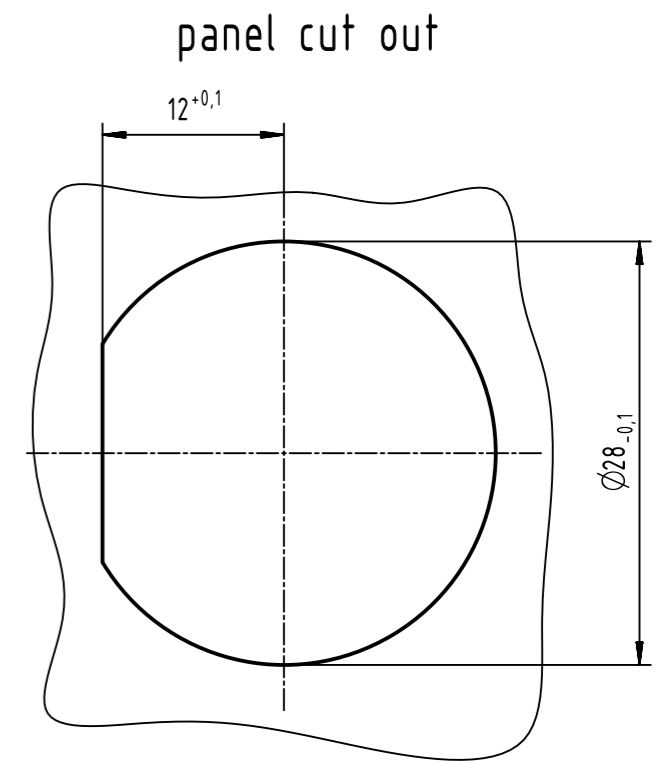
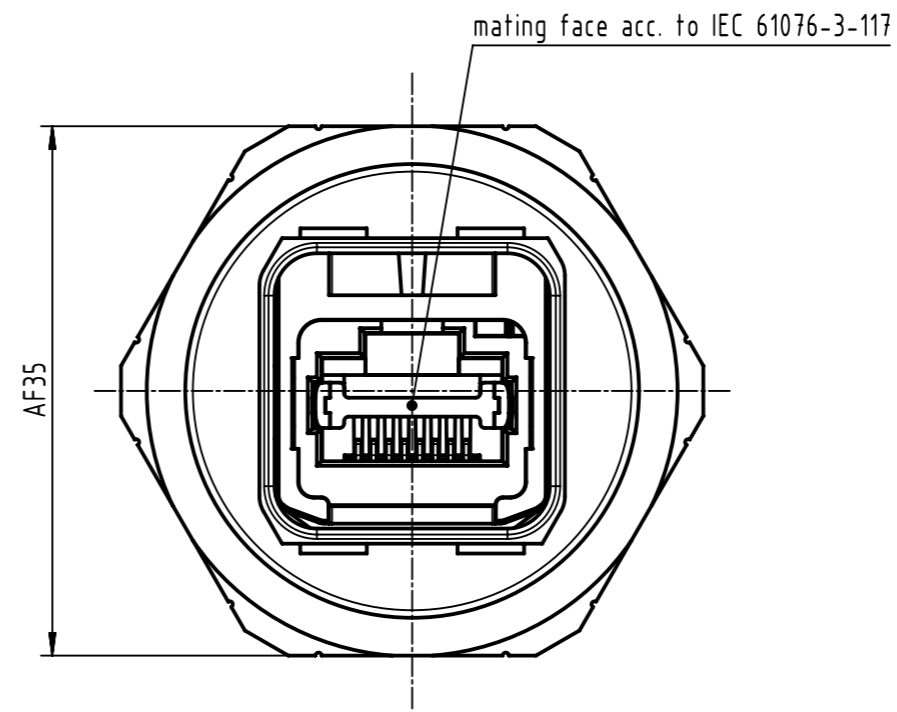
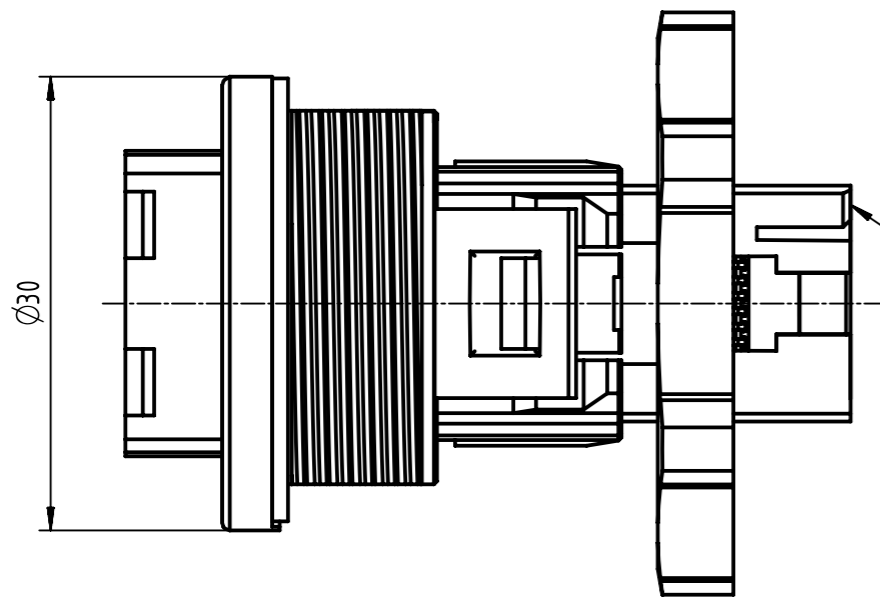


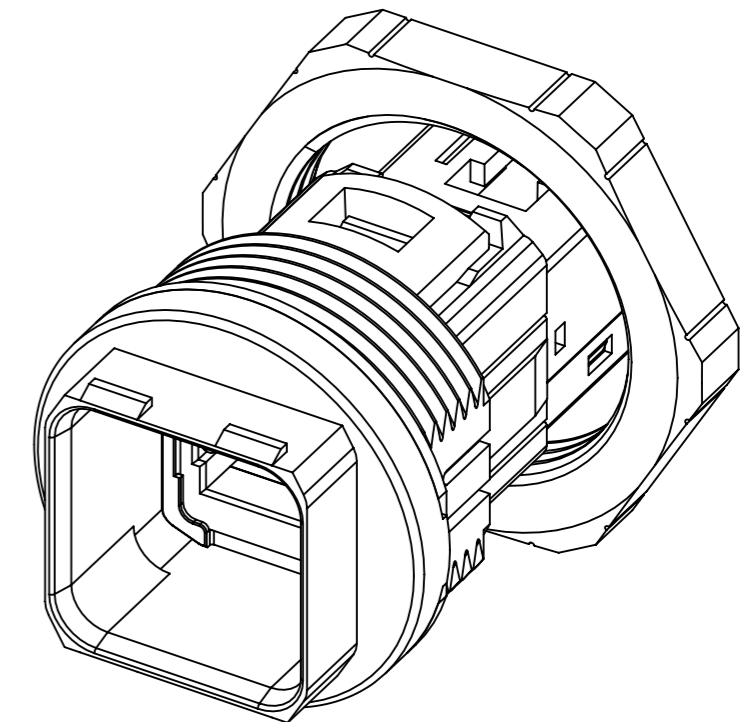
connection for ground contact




panel thickness: 1mm - 6mm  
nut torque: 2.5Nm - 3Nm



connection for ground contact



further information see product data sheet

	All rights reserved Department EL PD	Created by STORCK	Inspected by ELLERMANN	Standardisation HOFFMANN	Date 2020-07-07	State Final Release	Doc-Key / ECM-Nr. 100221210/UGD/002/E 500000175665
	HARTING Electronics GmbH D-32339 Espelkamp	Type TB	Title Han PP V14 RJ45 PFT metal circular Bulkhead Cat. 6		Number 09352250312	Rev. E	Page 1/1