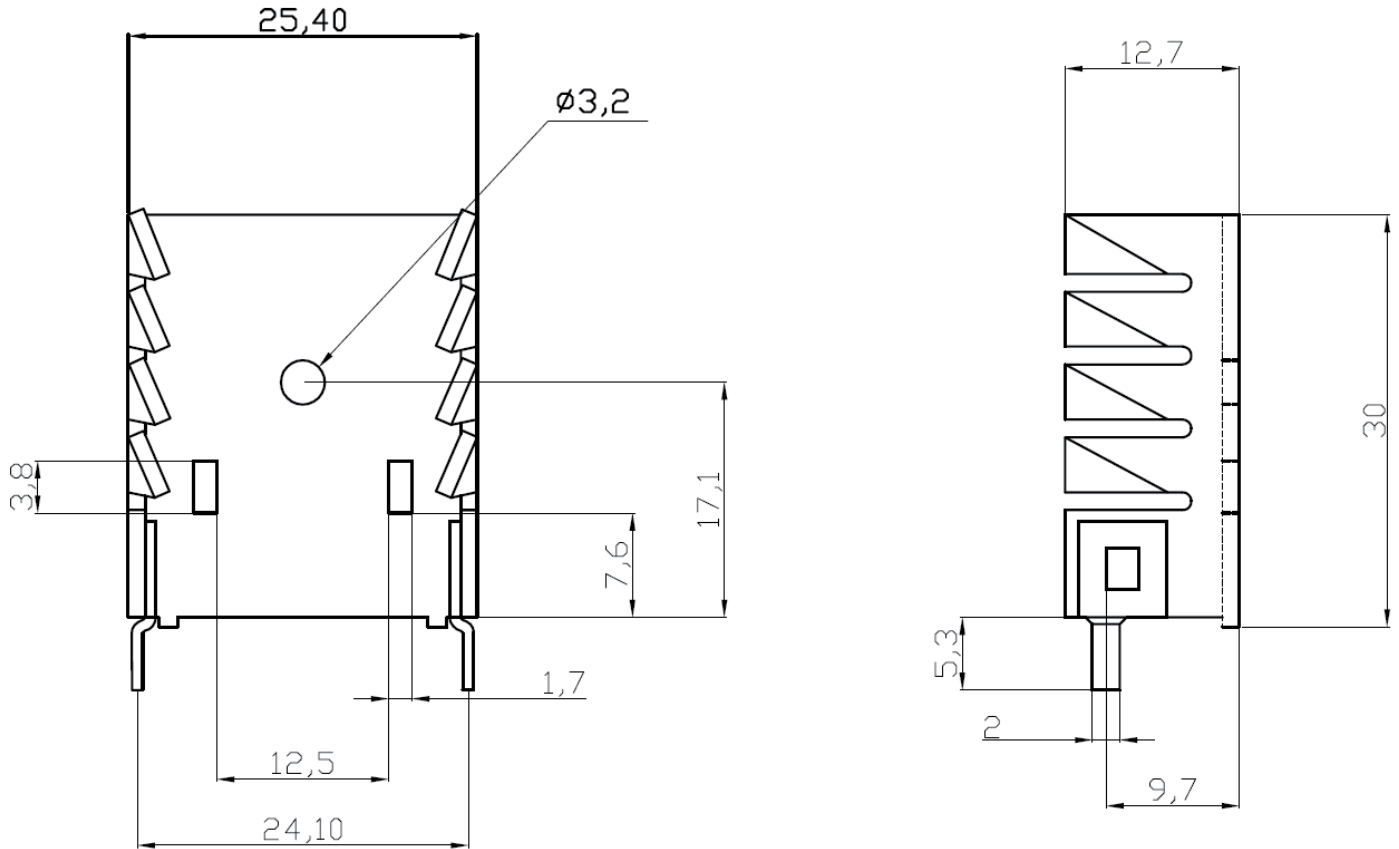


# Datasheet

Item no. 1586616

V1\_0617\_02\_EN



Scale	Free
TOLERANCE	
Unit	±0.25
DIM	TOL
Angle	TOL

### Notes

Material : AL 1050 T=1.2MM

Finished : Black Anodize

## RoHS compliant

Unit: mm