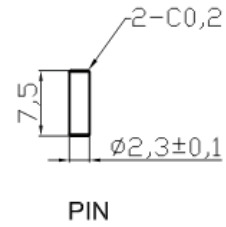
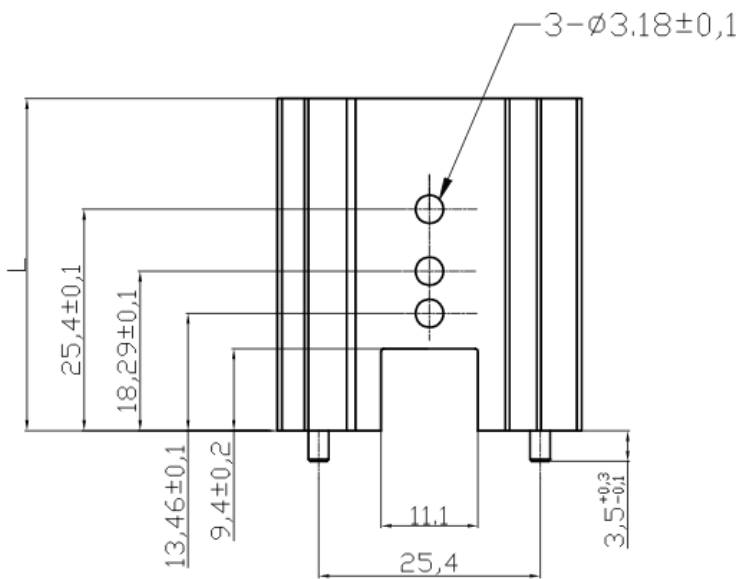


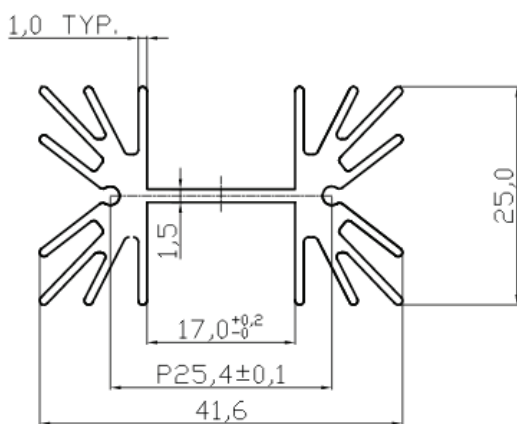
# Datasheet

Item no. 1586624

V1\_0617\_02\_EN



Material :AL 6063-T5  
 Finished : Black anodize



Option	L	Thermal resistance(K/W)
V8511X	38.1	5

**RoHS compliant**  
 Unit: mm