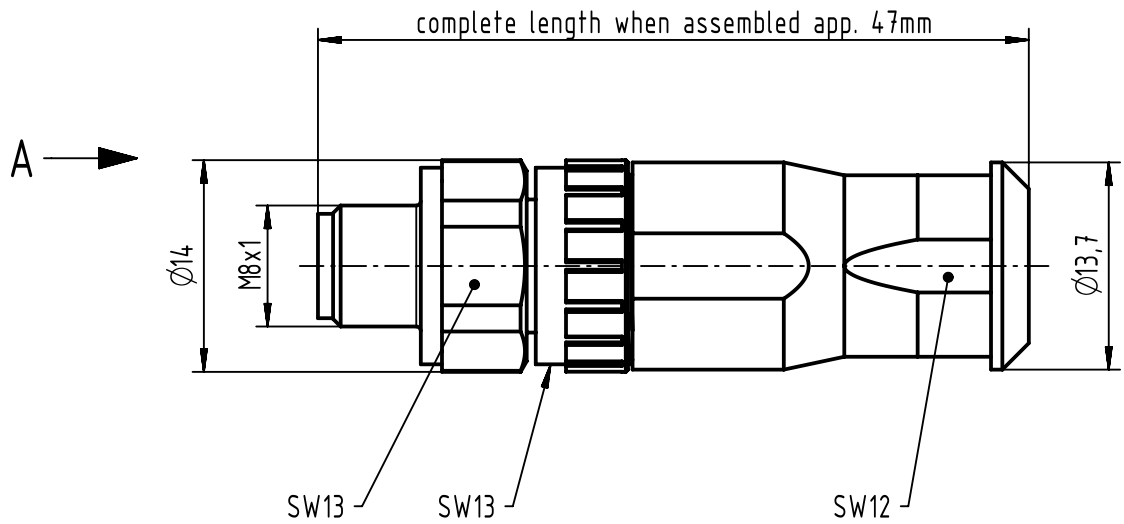
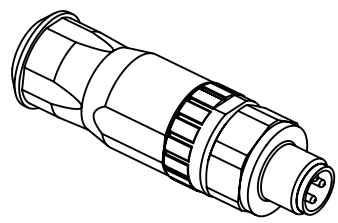
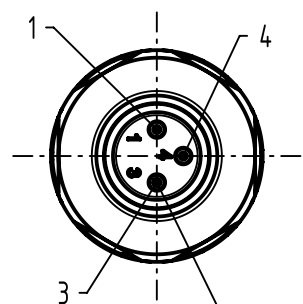


1 2 3 4 5 6


A  
B  
C  
D



A (2:1)



conductor cross section	0.5mm <sup>2</sup> max. AWG20
cable outside diameter	4 - 5.5mm

	All Dimensions in mm Original Size DIN A4	Scale	Free size tol.			Ref.
		2:1				Sub.
All rights reserved Department EC PD - DE	HARTING Electronics GmbH D-32339 Espelkamp	Created by	Inspected by	Standardisation	Date	State
		EISFELD	WELLMANN	SCHREIER	2015-04-02	Final Release
Title HARTING M8 screw straight 3-pole male					Doc-Key / ECM-Nr. 100617248/UGD/001/A 500000087333	
		Type	Number		Rev.	Page
		TB	21023591301		A	1/1