

## D UNIVERSAL adaptor

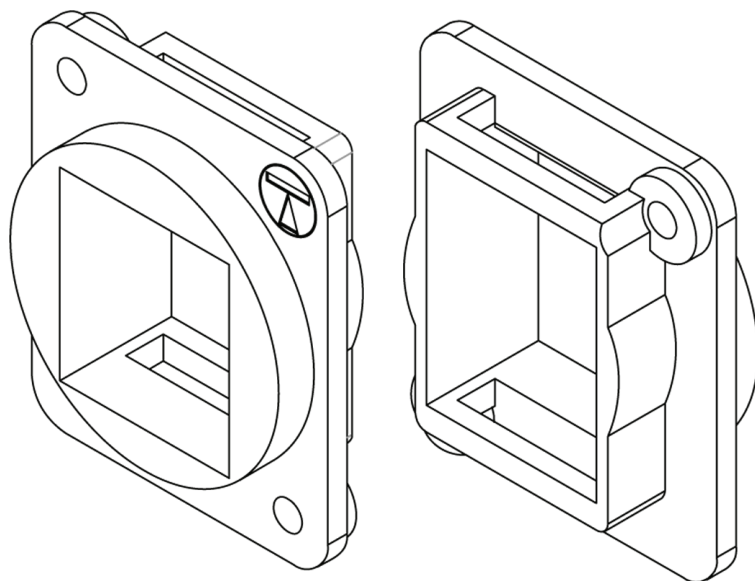
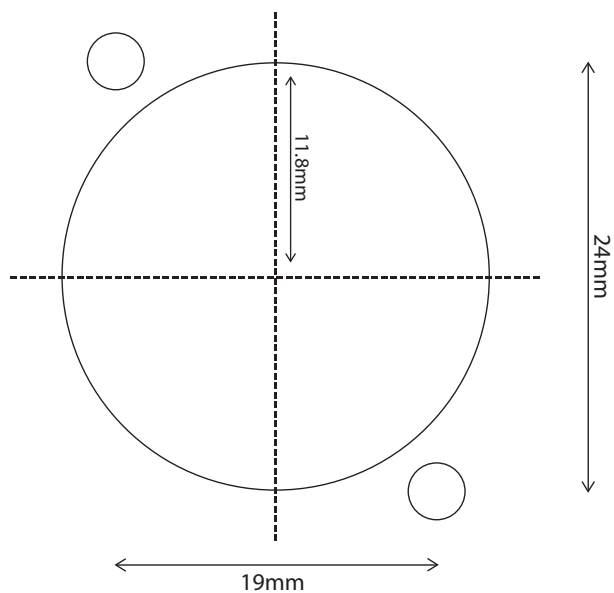


KADpmNL



KADSpmNL

### Requirements for cut-out:



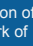
Front

Back

3rd October, 2016

TUK Ltd, Unit 4, Wimbledon Stadium Business Centre, Riverside Road, London SW17 0BA

Tel: +44 (0) 20 8946 6688 Fax: +44 (0) 20 8879 7410 Email: [sales@tuk.co.uk](mailto:sales@tuk.co.uk) Website: [www.tuk.co.uk](http://www.tuk.co.uk)

TUK follows a policy of continuous improvement. All information is correct at the time of printing but may be subject to change without prior notification. Please contact TUK for formal confirmation of current specification. HDMI and LSA-Plus are registered trademarks of HDMI Licensing and Krone (UK) Technique Ltd respectively, whose rights are acknowledged.  is a registered trademark of TUK Limited.