

Plastic enclosure

64 x 58 x 35 mm light grey PC IP 65



Integral guides and standoffs for vertical and horizontal PCB mounting

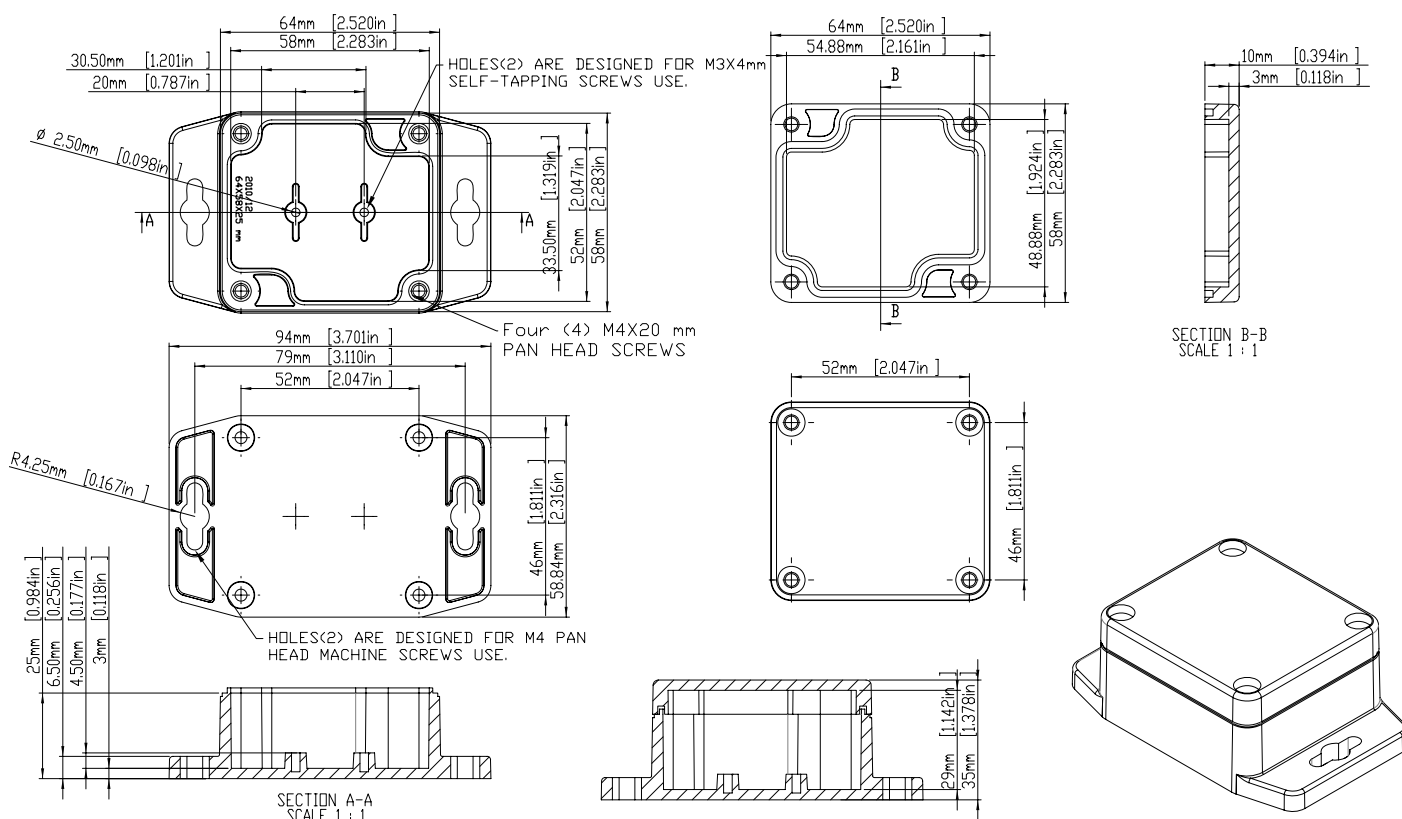
SPECIFICATION:

Dimensions L x W x H	64 x 58 x 35 mm
Colour	light grey
Material	PC
Protection rating	IP 65
Fire class	UL 94 HB
Mounting	Flange
Temperature range	-40...+120 °C
Front panel	Transparent



Art. Nr.

RND 455-00237



TOLERANCES: +/- 0.30 mm (+/- 0.012in)