

Panel Mount Fuseholders



DESCRIPTION

A low profile panel mount fuseholder with screw release for 5x20mm fuses.

DISTINCTIVE FEATURES

- Low profile
- Screw release
- Protected to IP40
- Quick connect or solder terminals
- UL and VDE approved

APPLICATIONS

These panel mounted R-TECH fuseholders are used to integrate a 5 x 20mm fuse safely within an electric circuit. They are ideal where a low profile appearance in front of the panel is required and are suited to professional and hobbyist applications.

5 x
20mm

Panel

IP40

10A

VDE

UL



ELECTRICAL SPECIFICATION

Shocksafe Category	PC2 to IEC 60127-6
Rated Voltage	250VAC
Rated Current (UL)	10A
Rated Current (VDE)	10A
Rated Power	2.5W/10A @ Ta 23°C For admissible power at higher ambient temperature, see derating curves
IEC Acceptance (See derating curves)	See graph
Protection Class	Suitable for appliances with protection class 1 or 2 acc. to IEC 61140
Contact Resistance	< 5mΩ at 20 mV
Dielectric Strength (Between L-N)	> 3kV (50Hz; 1 min)
Dielectric Strength (Between L/N-PE)	> 4kV (50Hz; 1 min)
Insulation Resistance (Between L-N)	> 10MΩ (500VDC; 1 min)
Insulation Resistance (Between L/N-PE)	> 100MΩ (500VDC; 1 min)
Overvoltage Category	I - III acc. to IEC 60664-1
Impulse Withstand Voltage (Between L-N)	> 4kV
Impulse Withstand Voltage (Between L/N-PE)	> 6kV



GENERAL SPECIFICATION

Series	Fuseholders
Type	Panel mount low profile screw release
Fuse Cap Fitting Type	Low profile screw release
Compatible Fuse Size (Diameter x Length)	5 x 20mm
Mounting Type	Panel mount
Mounting Method	Fixing nut
Product Marking	Type, voltage, current, approvals



MATERIALS

Base/Body	Thermoplastic UL94-V0
Terminals	Tin-plated copper alloy
Body (Socket)	Thermoplastic UL94-V0
Cap	Thermoplastic UL94-V0
Mounting Nut	Thermoplastic UL94-V0
Base Colour	Black
Cap Colour	Black



ENVIRONMENTAL/OPERATING SPECIFICATION

Flame Retardancy	UL94-V0
IP Rating	IP40 (front of panel)
Operating Temperature	-40°C to 85°C
Storage Temperature	0°C to 60°C
Storage RH	Max. 70% r.h
Pollution Degree	1 - 3 acc. to IEC 60664-1
Climatic Category	40/085/21 acc. to IEC 60068-1
Soldering Methods	Soldering iron
Solderability	350°C/2sec acc. to IEC 60068-2-20, test ta, method 2
Resistance to Soldering Heat	350°C/10sec acc. to IEC 60068-2-20, test tb, method 2
Admissable Torque on Fixing Nut	Max 1.2Nm
RoHS	Yes



CERTIFICATION AND STANDARDS

Approvals - VDE	Certificate Number 134125
Approvals - UL	Certificate Number E239034
Standards - IEC	IEC 60127-6
	IEC 61140
	IEC 60068-1
	IEC 60664-1
	IEC 60068-2-20
Standards - UL	UL4248-1/UL512
Standards - GB	GB9364.6



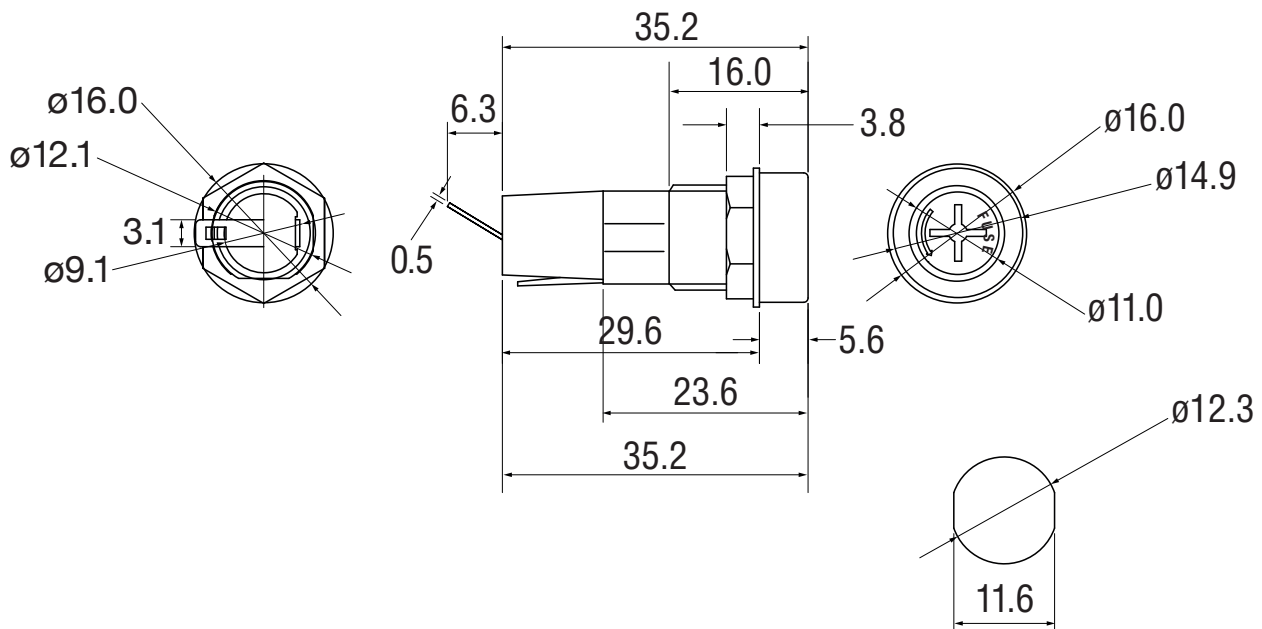
TERMINALS

Terminal Type	Solder or quick connect
Terminal Dimension	6.3 x 3.1 x 0.5mm



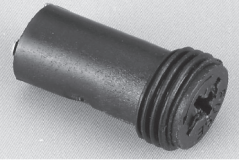
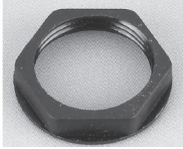
DIMENSIONS/DRAWINGS

Units	mm - unless stated otherwise
Dimensions (Summary)	35.2 x ø16mm
Length	35.2mm
Width	16mm
Height	16mm
Diameter	ø16mm
Mounting Holes (See drawing)	ø12.3mm
Panel Thickness	Max 7mm
Unit Weight (Socket/Cap/Nut)	3.09g/1.41g/0.3g





OPTIONS (MOQ may apply)

Screw in head cover	
Plastic nut	



PART NUMBER TABLE

Part Number Table	UNSPSC	EAN	Country of Origin
52-2820	39121624	5053556006373	China



Tried & trusted technology

Important Notice: This data sheet and its contents (the "Information") belong to Rapid Electronics Limited or are licensed to it. No licence is granted for the use of it other than for information purposes in connection with the products to which it relates. No licence of any intellectual property rights is granted. The Information is subject to change without notice and replaces all data sheets previously supplied. The Information supplied is believed to be accurate but Rapid Electronics Limited assumes no responsibility for its accuracy or completeness, any error in or omission from it or for any use made of it. Users of this data sheet should check for themselves the Information and the suitability of the products for their purpose and not make any assumptions based on information included or omitted. Liability for loss or damage resulting from any reliance on the Information or use of it (including liability resulting from negligence or where Rapid Electronics Limited were aware of the possibility of such loss or damage arising) is excluded. This will not operate to limit or restrict Rapid Electronics Limited's liability for death or personal injury resulting from its negligence.