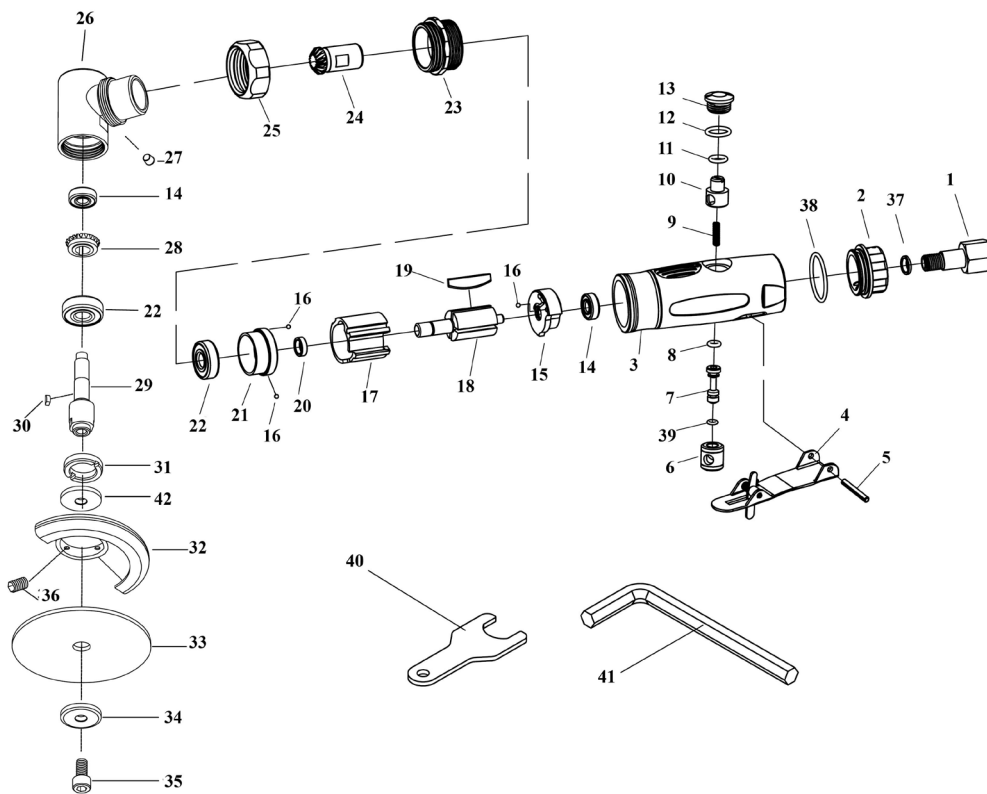


Parts Information: Air Cut-Off Tool Ø75mm Straight Model No: GSA26



Item	Part No.	Description
1	GSA26.01	AIR INLET
2	GSA26.02	END CAP
3	GSA26.03	HOUSING
4	GSA26.04	CONTROL LEVER
5	GSA26.05	PIN
6	GSA26.06	BUSH
7	GSA26.07	VALVE
8	GSA26.08	O-RING
9	GSA26.09	SPRING
10	GSA26.10	SPEED
11	GSA26.11	O-RING
12	GSA26.12	O-RING
13	GSA26.13	VALVE SCREW
14	B/696ZZ	BEARING 696ZZ
15	GSA26.15	REAR END PLATE
16	SB-2.5	STEEL BALL 2.5mm
17	GSA26.17	CYLINDER
18	GSA26.18	ROTOR
19	GSA26.19	VANES (SET OF 4)
20	GSA26.20	BUSH
21	GSA26.21	FRONT END PLATE
22	B/608ZZ	BEARING 608ZZ

Item	Part No.	Description
23	GSA26.23	NIPPLE
24	GSA26.24	BEVEL GEAR
25	GSA26.25	NUT RING
26	GSA26.26	ANGLE HEAD
27	GSA26.27	GREASE FITTING
28	GSA26.28	BEVEL GEAR
29	GSA26.29	SPINDLE
30	GSA26.30	KEY
31	GSA26.31	NIPPLE
32	GSA26.32	PROTECTOR
33	PTC/3C	CUTTING DISC 75 x 2mm 10mm BORE
--	PTC/3C5	CUTTING DISC 75 x 2mm 10mm BORE (NOT SHOWN)
34	GSA26.34	FLANGE
35	SCB612.SB	SOCKET HEAD CAP SCREW M6x12 BLACK
36	GSA26.36	SCREW
37	GSA26.37	RING WASHER M8
38	GSA26.38	O-RING
39	GSA26.39	O-RING
40	GSA26.40	WRENCH
41	GSA26.41	HEX WRENCH
42	GSA26.42	FLANGE

NOTE: It is our policy to continually improve products and as such we reserve the right to alter data, specifications and component parts without prior notice.

IMPORTANT: No liability is accepted for incorrect use of product.

WARRANTY: Guarantee is 12 months from purchase date, proof of which will be required for any claim.