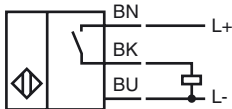




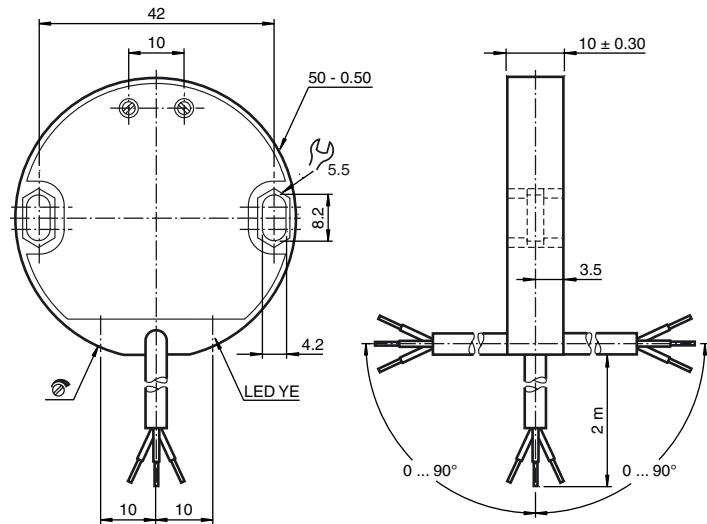
**Model Number**

CJ30-50K10-E0123-Y46139

**Connection**



**Dimensions**



**Technical Data**

**General specifications**

Switching element function	PNP or NPN 3-wire sensors
Rated operating distance	$s_n$ 30 mm
Installation	non-flush
Output polarity	switched high
Assured operating distance	$s_a$ 0 ... 25 mm

**Nominal ratings**

Operating voltage	$U_B$ 10 ... 30 V
Switching frequency	$f$ 0 ... 50 Hz
Hysteresis	$H$ typ. 20 %
Reverse polarity protected	reverse polarity protected
Short-circuit protection	pulsing
Voltage drop	$U_d$ ≤ 2.5 V
Operating current	$I_L$ 0 ... 150 mA
Lowest operating current	$I_m$ 0 mA
Off-state current	$I_r$ 0 ... 0.1 mA typ. 0.1 µA at 25 °C
No-load supply current	$I_0$ ≤ 15 mA
Indication of the switching state	Multihole-LED, yellow

**Ambient conditions**

Ambient temperature	-30 ... 60 °C (-22 ... 140 °F)
---------------------	--------------------------------

**Mechanical specifications**

Connection type	cable PUR , 2 m
Core cross-section	0.25 mm <sup>2</sup>
Housing material	POM
Sensing face	POM
Protection degree	IP67

**Compliance with standards and directives**

Standard conformity	
Standards	EN 60947-5-2:2007 IEC 60947-5-2:2007

**Approvals and certificates**

UL approval	cULus Listed, General Purpose
CSA approval	cCSAus Listed, General Purpose

Release date: 2012-05-04 09:22 Date of issue: 2012-05-04 046139\_eng.xml

The switching state is indicated by LED visible in three directions with the output function break contact / make contact / PNP / NPN freely configurable via rotary switch.

**Adjustment:**

The adjustment is via the flush mounted adjustment potentiometer.

**Change-over:**

For the functional coding PNP/NPN and break/make contact there is a rotary switch each at the back of the sensor.

The adjustment is carried out by turning the appropriate switch to the position corresponding to the switching function (ground stop).

**Delivery state: E2 (PNP, make contact)**

**Break/make contact coding:**

By turning 270 degree to the left the change-over from PNP to NPN is achieved.

**Connection diagrams:**

