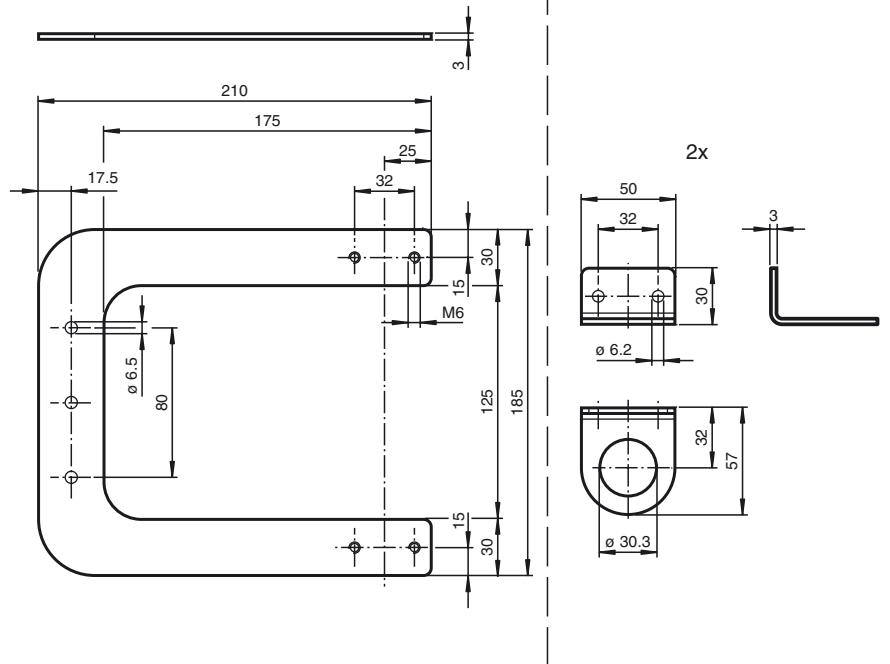




Dimensions



Model Number

MH-UDB02

Mounting bracket for double sheet metal monitor

Features

- Special design to avoid reflections
- Large adjustment range of sensor head spacing

Technical data

Mechanical specifications

Material	Stainless steel
Mass	540 g

Release date: 2013-02-04 09:33 Date of issue: 2013-02-04 198625_eng.xml