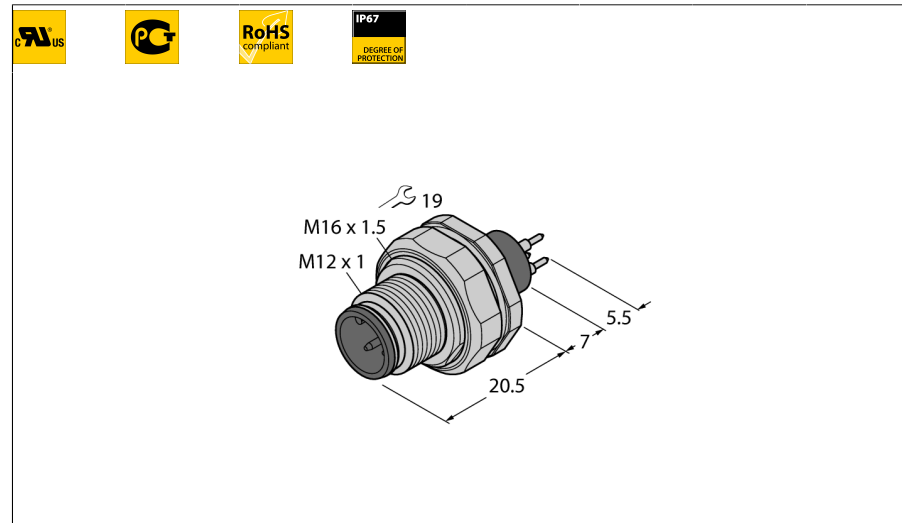
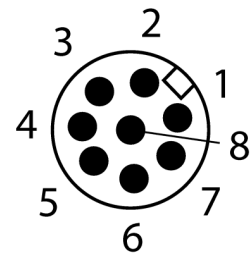


**Accessories for actuator/sensor cables  
male flange with print contacts, rear-mounted  
EC-FSFDE8-P/16**



- M12 ♂ 1 male receptacle
- Protection class IP67
- Stainless steel receptacle housing
- Rear-mounted
- Connected via print contacts

**Pin Assignment**



<b>Type designation</b>	EC-FSFDE8-P/16
Ident no.	6934591
<b>Connector A side</b>	
Number of pins	Male receptacle, M12 ♂ 1, Straight 8
Contacts	Brass, CuZn, Gold-plated
Contact carriers	Plastic, PA GF, Black
Flange housing	Stainless steel, 1.4404 (AISI 316L)
Screw-in thread seal	plastic, NBR
Screw-in thread	M16x1.5
Connection mode	Print contact
Mechanical lifespan	> 100 Mating cycles
Pollution degree	3
Protection class	IP67, (screwed together)
<b>Electrical features at +20 °C</b>	
Rated voltage	30 V
Current	2 A
Insulation resistance	≥ 10 <sup>8</sup> Ω
Forward resistance	≤ 5 mΩ
<b>Mechanical and chemical properties</b>	
Ambient temperature	
Stationary	-30...+90°C

