

"High Frequency Ceramic Solutions"

2.45 GHz Harmonic Filter-Balun Optimized for AT86RF230/231 and ATmega128RFA1 P/N 2450FB15L0001

Detail Specification: 4/27/2012

Page 1 of 4

General Specifications

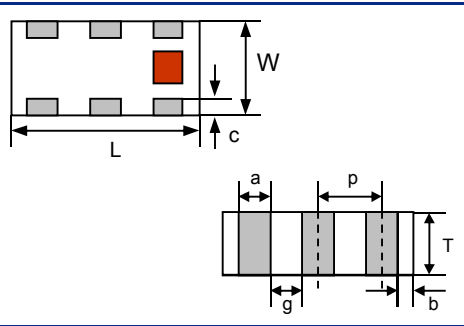
Part Number	2450FB15L0001
Frequency (MHz)	2400~2500
Unbalanced Impedance	50 Ω
Balanced Impedance	Impedance match to AT86RF230/231 and ATmega128RFA1
Insertion Loss	1.5 dB max.
Return Loss	9.5 dB min.
Phase Difference	180° \pm 10
Amplitude Difference	2.0 dB max.

Differential Mode Attenuation (dB)	20 min.@ 4800~5000MHz
	20 min.@ 7200~7500MHz
Common Mode Attenuation (dB)	20 min.@ 4800~5000MHz
Operating Temperature	-40°C to +125°C
Storage Conditions	+5 to +35°C, Humidity: 45-75%RH, 18 mos. Max
Input Power	2 Watts max. (CW)
Reel Quantity	4,000

* 18 months in vacuum sealed bag and 1 week after opened. For more info go to www.johansontechnology.com/silverleads

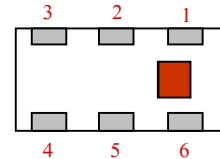
Mechanical Dimensions

	In	mm
L	0.079 \pm 0.004	2.00 \pm 0.10
W	0.049 \pm 0.004	1.25 \pm 0.10
T	0.031 \pm 0.004	0.80 \pm 0.10
a	0.012 \pm 0.004	0.30 \pm 0.10
b	0.008 \pm 0.004	0.20 \pm 0.10
c	0.012 +.004/-0.008	0.30 +0.1/-0.2
g	0.014 \pm 0.004	0.35 \pm 0.10
p	0.026 \pm 0.002	0.65 \pm 0.05



Terminal Configuration

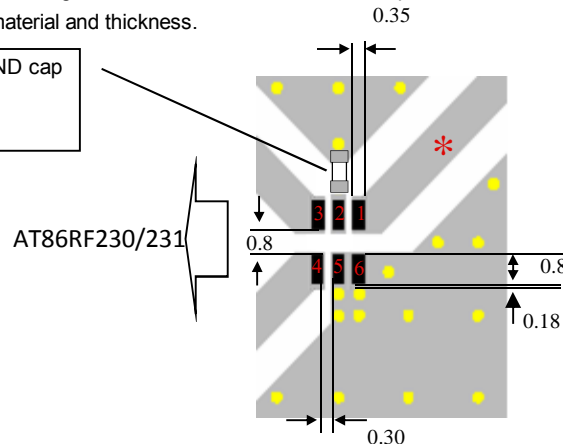
No.	Function
1	Unbalanced Port
2	DC Feed + RF GND
3	Balanced Port
4	Balanced Port
5	GND
6	GND



Balun Layout with AT86RF230/1

* Line width should be designed to match 50 Ω characteristic impedance, depending on PCB material and thickness.

0402 22pF RF GND cap
Johanson p/n:
500R07S220JV4



- Solder Resist
- Land
- Through-hole (ϕ 0.3)

Units: mm

Units: mm

Johanson Technology, Inc. reserves the right to make design changes without notice.
All sales are subject to Johanson Technology, Inc. terms and conditions.



www.johansontechnology.com

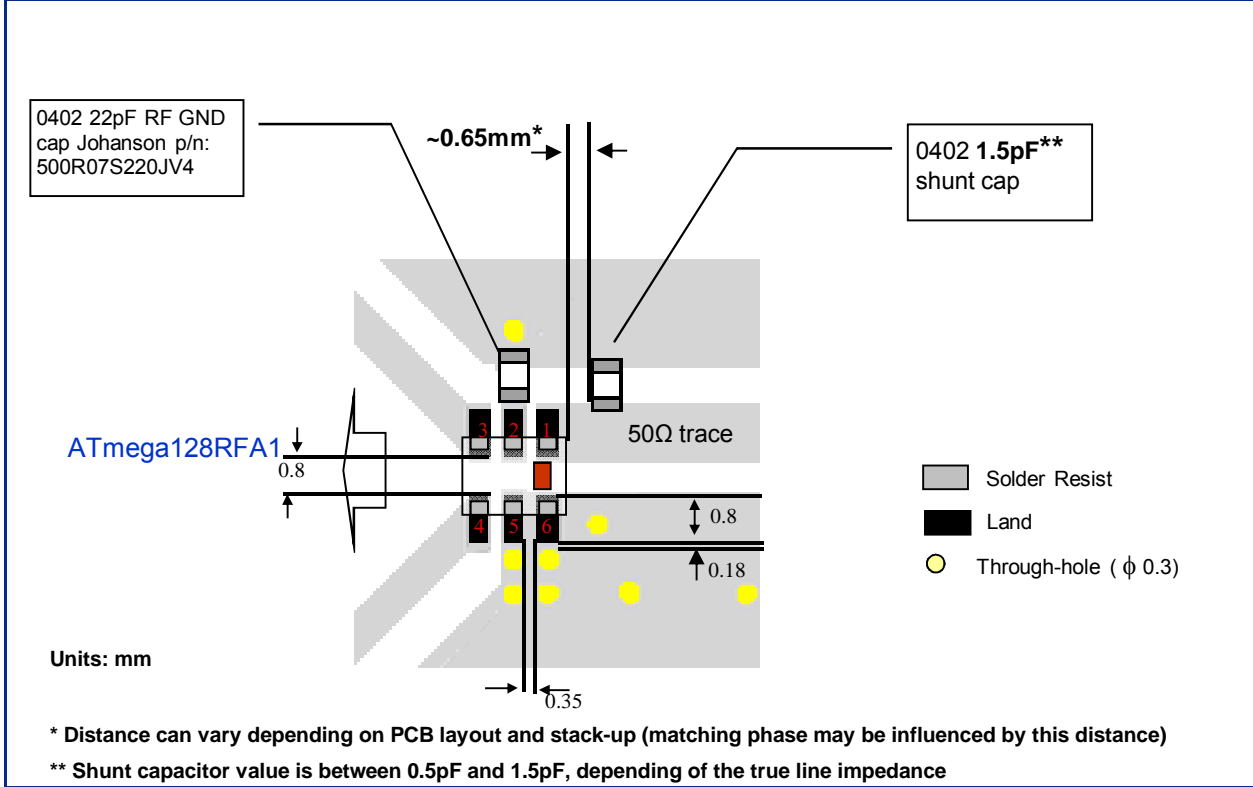
4001 Calle Tecate • Camarillo, CA 93012 • TEL 805.389.1166 FAX 805.389.1821

2012 Johanson Technology, Inc. All Rights Reserved

"High Frequency Ceramic Solutions"

2.45 GHz Harmonic Filter-Balun Optimized for AT86RF230/231 and ATmega128RFA1 P/N 2450FB15L0001
 Detail Specification: 4/27/2012 Page 2 of 4

Balun Layout with ATmega128RFA1



Part Numbering Scheme

P/N	Packaging	Bulk	Suffix = S	Eg. 2450FB15L0001S
	Style	T & R	Suffix = E	Eg. 2450FB15L0001E
Suffix	Termination Style	100% Tin	Suffix = None	Eg. 2450FB15L0001(E or S)
	Evaluation Board	2450FB15L0001-EB1SMA		

Johanson Technology, Inc. reserves the right to make design changes without notice.
 All sales are subject to Johanson Technology, Inc. terms and conditions.



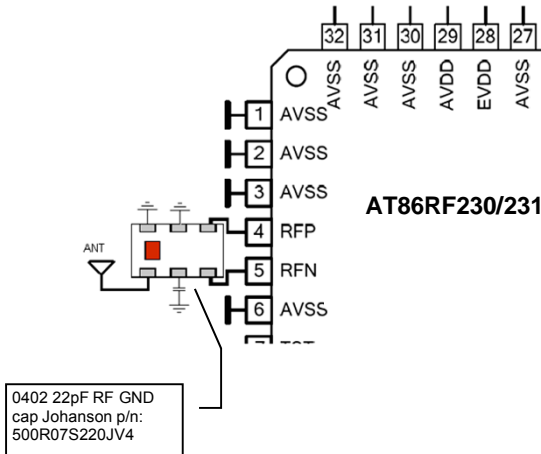
www.johansontechnology.com

4001 Calle Tecate • Camarillo, CA 93012 • TEL 805.389.1166 FAX 805.389.1821

2012 Johanson Technology, Inc. All Rights Reserved

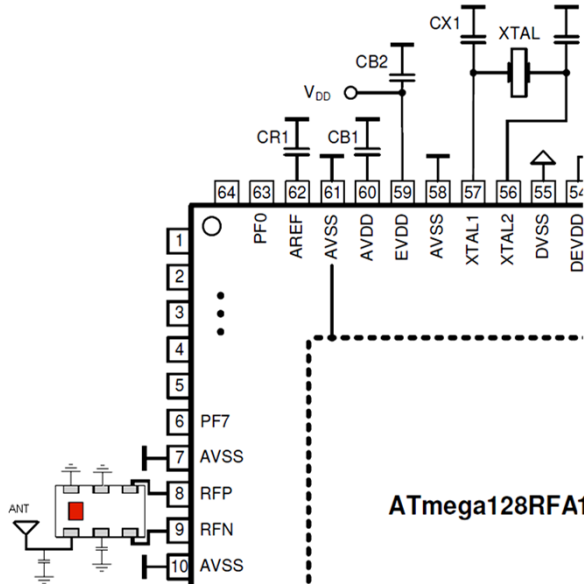
"High Frequency Ceramic Solutions"

AT86RF230/231 With DC feed graphical representation:



See last page for filtering performance

ATmega128RFA1 With DC feed graphical representation:



See last page for filtering performance

Johanson Technology, Inc. reserves the right to make design changes without notice.
 All sales are subject to Johanson Technology, Inc. terms and conditions.

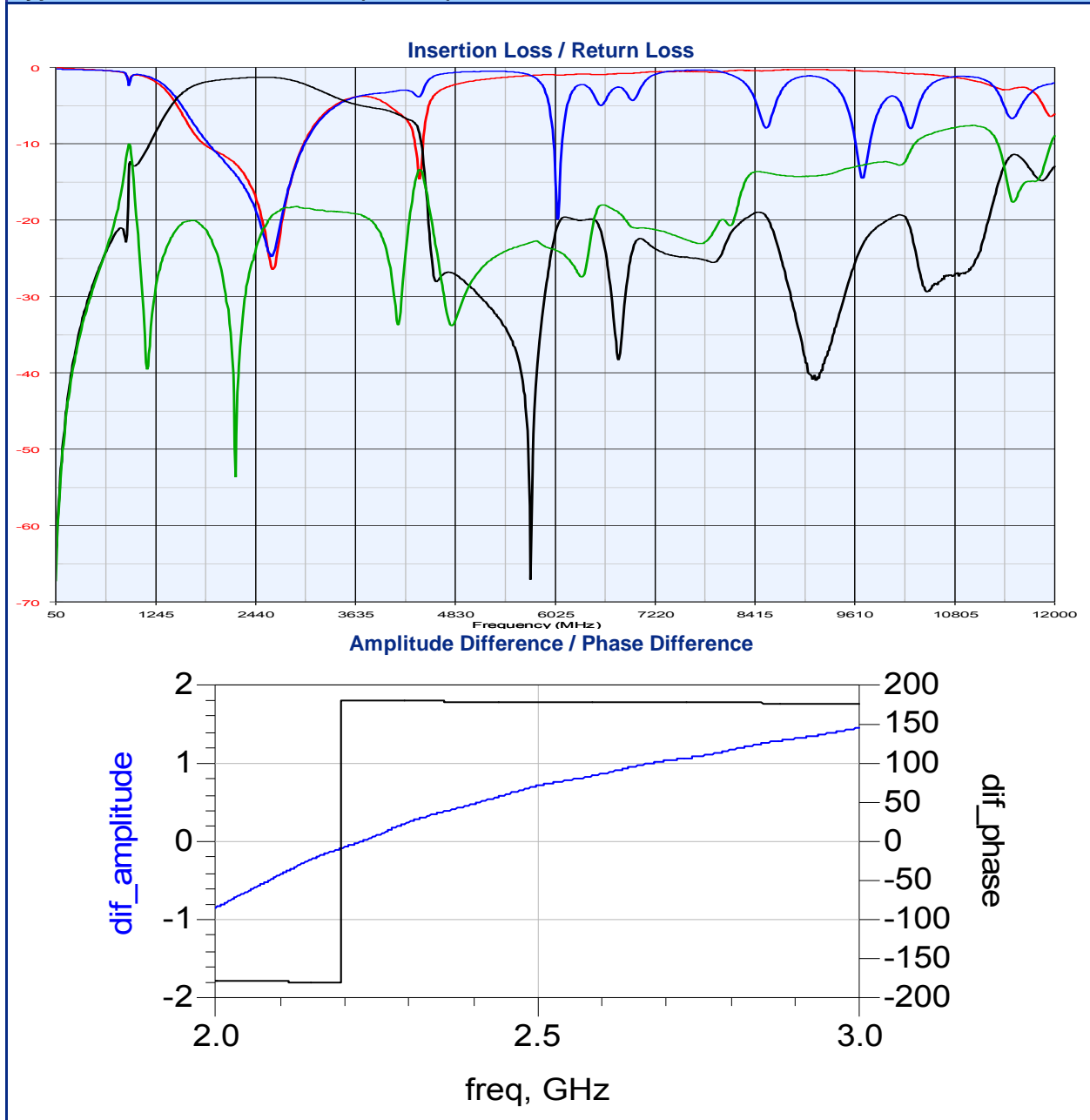
"High Frequency Ceramic Solutions"

2.45 GHz Harmonic Filter-Balun Optimized for AT86RF230/231 and ATmega128RFA1 P/N 2450FB15L0001

Detail Specification: 4/27/2012

Page 4 of 4

Typical Electrical Performance (T=25°C)



Johanson Technology, Inc. reserves the right to make design changes without notice.

All sales are subject to Johanson Technology, Inc. terms and conditions.



www.johansontechnology.com

4001 Calle Tecate • Camarillo, CA 93012 • TEL 805.389.1166 FAX 805.389.1821

2012 Johanson Technology, Inc. All Rights Reserved