

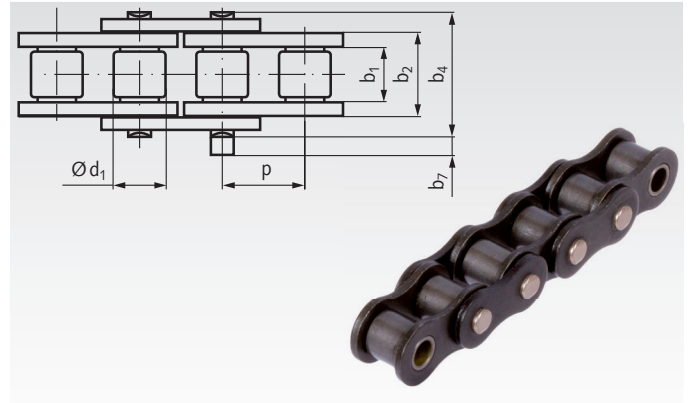
Single-Strand Roller Chains, similar to DIN ISO 606 (formerly DIN 8187), Self-Lubricating

Materials: Special chain steels, sintered bronze bushes.

Self-lubricating single-strand roller chain, dimensions and pre-stretching according to DIN ISO 606 (formerly DIN 8187).
Waisted link plates.

Chains are supplied with an uneven number of links, with inner links at both ends. Connecting links must be ordered separately.

Temperature range: -10° to +120°C.



Ordering Details: e.g.: Product No. 105 770 00, Roller Chain 08 B-1 self-lubricating

DIN ISO-No.	Product No.	Pitch x Inner Width p x b _{1min}		Inner Width b ₂ mm	Roller- Ø d ₁ mm	Pin Ø mm	Width over Pin b ₄ mm	Projection over Link b ₇ ¹⁾ mm	Breaking Load min. kN	Weight kg/m
		mm	inch							
08 B-1	105 770 00	12,7	x 7,75	11,30	8,51	4,45	17,0	3,9	17,8	0,69
10 B-1	106 770 00	15,875	x 9,65	13,28	10,16	5,08	19,6	4,1	22,2	0,93
12 B-1	107 770 00	19,05	x 11,68	15,62	12,07	5,72	22,7	4,6	28,9	1,15
16 B-1	108 770 00	25,4	x 17,02	25,45	15,88	8,28	36,1	5,4	60,0	2,71

¹⁾ Maximum value at the connecting link.

Attention please: Packing Unit 5m

If special lengths are needed, please tell us the length and the number of links (uneven number!).
Connecting links have to be ordered separately.

Connecting Links for Self-Lubricating, Single-Strand Roller Chains, similar to DIN ISO 606 (formerly DIN 8187)

Materials: Special chain steel, coated pins.

Ordering Details: e.g.: Product No. 105 773 00, Connecting Link No.11/E, 08 B-1



DIN ISO No.	Product No. Connect. Link No. 11/E	Weight g	Product No. Cranked No. 12/L ¹⁾	Weight g	Product No. Inner Link No. 4/B	Weight g
10 B-1	106 770 03	13	106 770 04	15	106 770 01	16
12 B-1	107 770 03	21	107 770 04	24	107 770 01	25
16 B-1	108 770 03 ²⁾	66	108 770 04	80	108 770 01	79

¹⁾ With cranked links power and breaking loads are reduced by 20%.

²⁾ With cottered pin.