

5

4

3

2

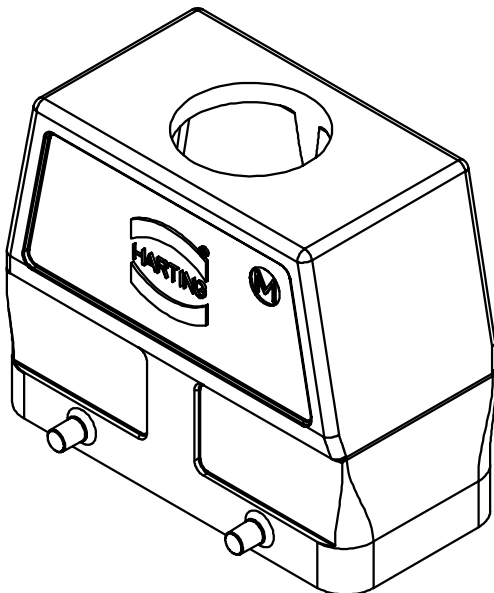
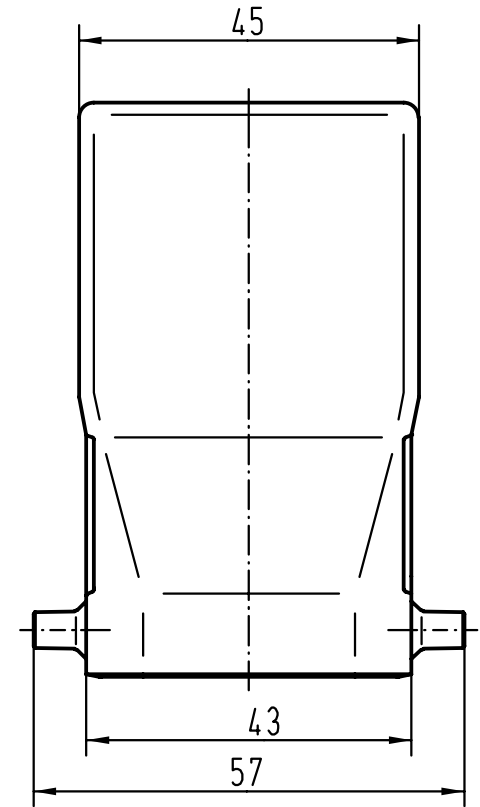
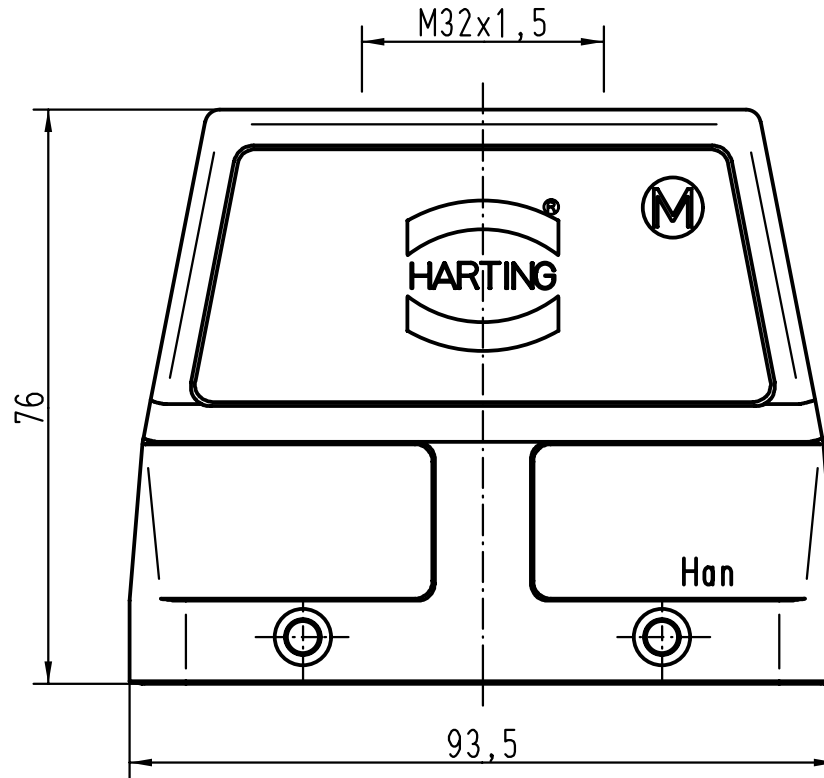
1

D

C

B

A



| | | | | | | | |
|---|------|-------------------|-----------------------------------|------|--|--|------------------|
| All Dimensions in mm Original Size DIN A 4 | | Techn. Character. | | | Nicht tolerierte Masse! Free size tolerances | | |
| | | | Dat. | Name | Massstab/Scale 1:1 | Han 16B-gg-M32 Topfgehäuse/ hoods | |
| | | Detail. | 16.11.00 | Gö | | | |
| | | Insp. | | KR | | | |
| | | Stand. | | | | | |
| 28836 | | | HARTING KGaA D-32339 ESPELKAMP | | | TB 19 30 016 0427 | Blatt/ page / |
| Mod. | Dat. | Name | | | | | |