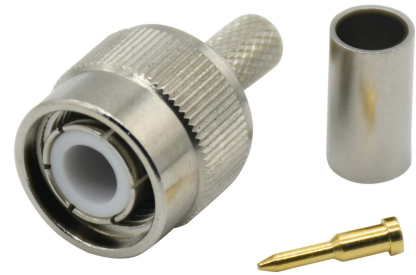


TNC PLUG FOR RG58 CABLE



Features

- TNC (Threaded Neill-Concelman) connectors are designed for RF (Radio Frequency) applications and are commonly used with coaxial cables like RG58.
- TNC connectors are suitable for a wide frequency range for various RF applications such as telecommunications, wireless networks, and RF testing
- TNC connectors offer a good compromise between ease of use, robustness, and frequency performance for RG58 cables



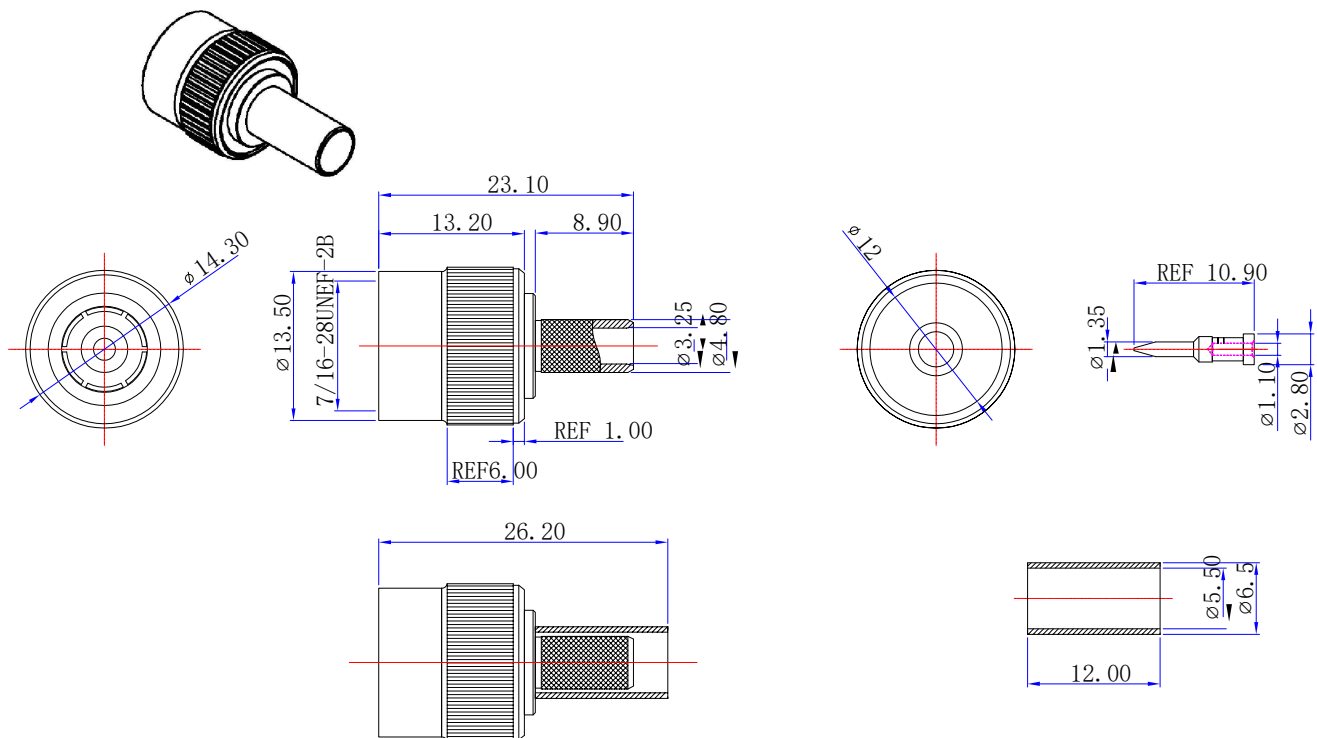
Specification

Impedance	50 Ohm
Frequency Range	0 ... 3 GHz
VSWR	1.5 max
Working Voltage	500 V RMS @ Sea Level
Insulation Resistance	5 GOhm min.
Temperature Range	-55 ... 155 °C

Material Specification

Body	Brass, Nickel
Insulator	PTFE
Center Pin	Brass, Gold

Drawing



Art. Nr.
RND 205-01505