

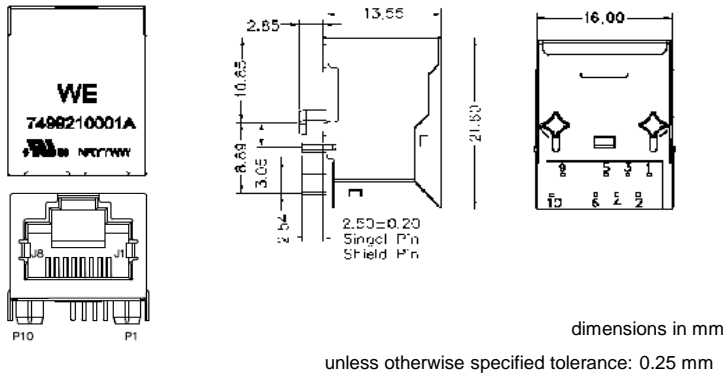
Spezifikation für Freigabe / specification for release

Kunde / customer :
 Artikelnummer / part number : **7499210001A**
 Bezeichnung : LAN-Übertrager WE-RJ45LAN 10/100BaseT PoE
 description : LAN-Transformer WE-RJ45LAN 10/100BaseT PoE

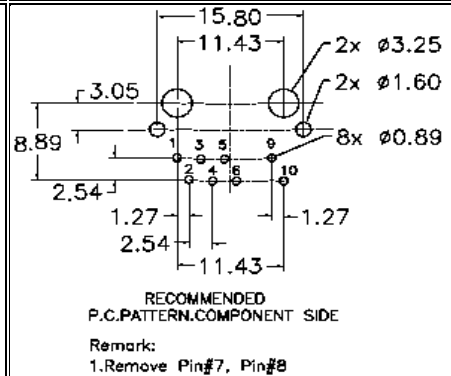


DATUM / DATE : 2021-02-01

A Mechanische Abmessungen / dimensions :



B Lötpad / soldering spec. :



C Elektrische Eigenschaften / electrical properties :

Eigenschaften / properties	Testbedingungen / test conditions		Wert / value	Einheit / unit	tol.
Induktivität / Inductance	100kHz / 100mV @ 8mA DC-Bias	OCL	350	µH	min.
Übersetzungsverhältnis / Turns ratio	100kHz / 100mV	TR	1 : 1	Tx	3%
			1 : 1	Rx	
Insertion Loss	1-100MHz	IL	-1,2	dB	max.
Return Loss	1-30MHz @ 100Ω	RL	-18	dB	min.
	30-45MHz @ 100Ω		-13,5		
	45-60MHz @ 100Ω		-12		
	60-80MHz @ 100Ω		-10		
Common Mode Rejection	1-100MHz	CMR	-30	dB	min.
Crosstalk	1-100MHz	CT	-30	dB	min.

D Prüfgeräte / test equipment :

HP4395A

E Testbedingungen / test conditions :

Luftfeuchtigkeit / humidity: 33%
 Umgebungstemperatur / temperature: +25°C

F Werkstoffe & Zulassungen / material & approvals :

Basismaterial / base material: Ferrit/ ferrite
 Draht / wire: 0UEW 155°C
 Kontaktmaterial/ contact plating: 100% tin w. nickel underplating
 30µ"gold plating on contact area
 Gehäuse / housing: Thermoplastic UL-94V0,
 E187910
 Shield: 50µ" nickel
 over 0.01" cooper alloy

G Eigenschaften / general specifications :

Betriebstemp. / operating temperature: -40°C - + 85°C
 Hochspannungsprüfung / Hipot test: 1500Vrms 1min.
 Geeignet für 10/100Base-TX gemäß IEEE 802.3af (350 mA) /
 Compliant with IEEE 802.3af (350 mA) for 10/100Base-TX
 applications
 Auto MDIX fähig / Auto MDIX capable
 UL file: E472316

Freigabe erteilt / general release:	Kunde / customer	Mle	Rev.07	2021-02-01
			LuRa	Rev 06
		JuHa	Rev 05	2020-08-11
		Jliu	Rev 04	2019-11-04
Datum / date	Unterschrift / signature	Mle	Rev 03	2014-11-17
	Würth Elektronik	Mle	Rev 02	2012-09-04
		KSc	Rev 01	2010-04-21
		KSc	Rev 00	2009-12-22
Geprüft / checked	Kontrolliert / approved	Name	Änderung / modification	Datum / date

Würth Elektronik eiSos GmbH & Co.KG

D-74638 Waldenburg · Max-Eyth-Straße 1 - 3 · Germany · Telefon (+49) (0) 7942 - 945 - 0 · Telefax (+49) (0) 7942 - 945 - 400
<http://www.we-online.com>

Spezifikation für Freigabe / specification for release

Kunde / customer :

Artikelnummer / part number :

7499210001A

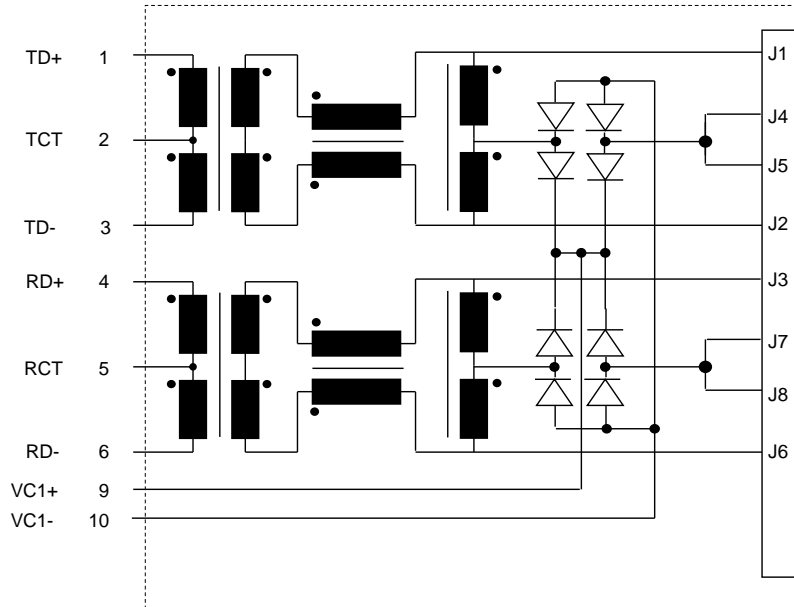


Bezeichnung : LAN-Übertrager WE-RJ45LAN 10/100BaseT PoE

description : LAN-Transformer WE-RJ45LAN 10/100BaseT PoE

DATUM / DATE : 2021-02-01

H Schaltbild / Schematics :



Freigabe erteilt / general release:	Kunde / customer	Mle	Rev.07	2021-02-01
		LuRa	Rev 06	2020-11-27
		JuHa	Rev 05	2020-08-11
		Jliu	Rev 04	2019-11-04
Datum / date	Unterschrift / signature	Mle	Rev 03	2014-11-17
	Würth Elektronik	Mle	Rev 02	2012-09-04
		KSc	Rev 01	2010-04-21
		KSc	Rev 00	2009-12-22
Geprüft / checked	Kontrolliert / approved	Name	Änderung / modification	Datum / date

Würth Elektronik eiSos GmbH & Co.KG

D-74638 Waldenburg · Max-Eyth-Straße 1 - 3 · Germany · Telefon (+49) (0) 7942 - 945 - 0 · Telefax (+49) (0) 7942 - 945 - 400
<http://www.we-online.com>

Spezifikation für Freigabe / specification for release

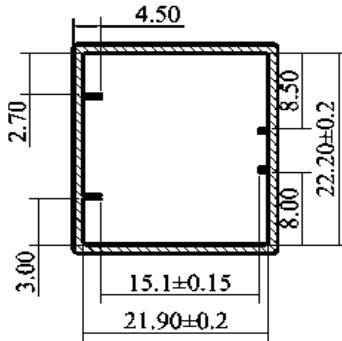
Kunde / customer :
 Artikelnummer / part number : **7499210001A**
 Bezeichnung : LAN-Übertrager WE-RJ45LAN 10/100BaseT PoE
 description : LAN-Transformer WE-RJ45LAN 10/100BaseT PoE



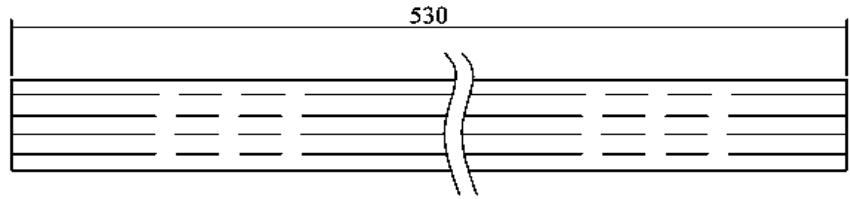
DATUM / DATE : 2021-02-01

I Verpackungsspezifikation / package specification :

Tube

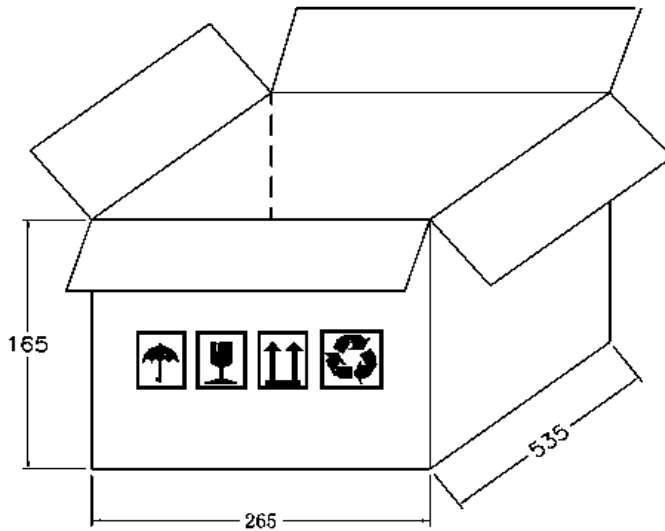


Profile view



Top view

Carton



Packing Quantity:

tube= 29pcs
 carton= 1740pcs

dimensions in mm

Freigabe erteilt / general release:	Kunde / customer	Mle	Rev.07	2021-02-01
		LuRa	Rev 06	2020-11-27
Datum / date	Unterschrift / signature	JuHa	Rev 05	2020-08-11
		Jliu	Rev 04	2019-11-04
Geprüft / checked	Würth Elektronik	Mle	Rev 03	2014-11-17
		Mle	Rev 02	2012-09-04
		KSc	Rev 01	2010-04-21
		KSc	Rev 00	2009-12-22
		Name	Änderung / modification	Datum / date

This electronic component has been designed and developed for usage in general electronic equipment. Before incorporating this component into any equipment where higher safety and reliability is especially required or if there is the possibility of direct damage or injury to human body, for example in the range of aerospace, aviation, nuclear control, submarine, transportation, (automotive control, train control, ship control), transportation signal, disaster prevention, medical, public information network etc, Würth Elektronik eiSos GmbH must be informed before the design-in stage. In addition, sufficient reliability evaluation checks for safety must be performed on every electronic component which is used in electrical circuits that require high safety and reliability functions or performance.

Würth Elektronik eiSos GmbH & Co.KG

D-74638 Waldenburg · Max-Eyth-Straße 1 - 3 · Germany · Telefon (+49) (0) 7942 - 945 - 0 · Telefax (+49) (0) 7942 - 945 - 400
<http://www.we-online.com>