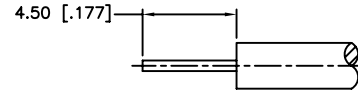
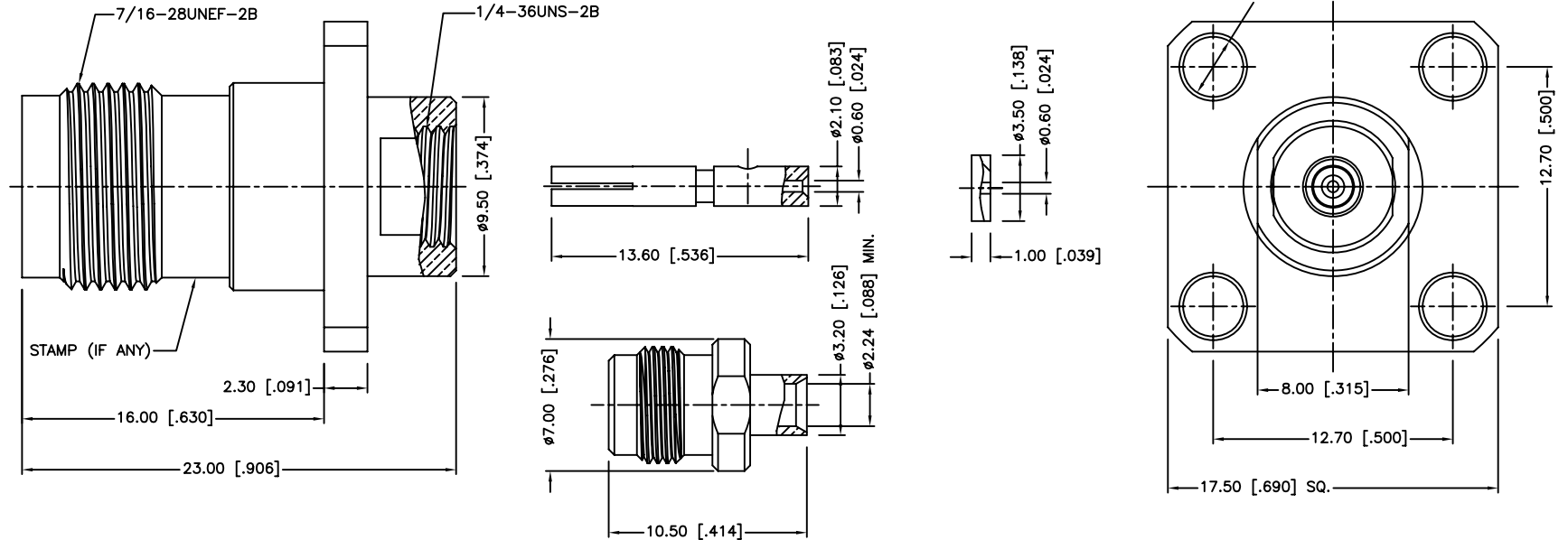


REV.	DATE	ECR NO.	DESCRIPTION
NC	03/12/13	XXXXXX	INITIAL RELEASE



RECOMMENDED
CABLE STRIPPING DIM'S



- NOTES:
- 1 IMPEDANCE:50 OHM
 2. FREQUENCY RANGE: DC 0 – 11 GHz
 3. DIELECTRIC WITHSTANDING VOLTAGE:1500 VRMS. MIN.
 4. DURABILITY:500 CYCLES MIN.
 5. TEMPERATURE RANGE:-65°C TO +165°C
 6. CRIMPED CONTACT PIN
HEX CRIMP SIZE .068

6	SOLDER NUT	BRASS	GOLD	1
5	INSULATOR	PTFE	NATURAL	1
4	LOCK RING	BRASS	NICKEL	1
3	CONTACT PIN	PHOSPHOR BRONZE	GOLD	1
2	INSULATOR	PTFE	NATURAL	1
1	BODY	BRASS	NICKEL	1
DESCRIPTION	MATERIAL	FINISH	QTY	

UNLESS OTHERWISE SPECIFIED DIMENSIONS ARE IN MILLIMETERS. DIMENSIONS IN [] ARE IN INCHES AND FOR CUSTOMER REFERENCE ONLY. UNLESS OTHERWISE SPECIFIED		APPROVALS	DATE
TOLERANCES FOR MILLIMETERS ARE: <0.5 ± 0.05mm 0.5 – 6mm ± 0.10mm 6 – 30mm ± 0.20mm 30 – 120mm ± 0.30mm ANGLES ± 1°		DRAWN S.LI	03/12/13
UNLESS OTHERWISE SPECIFIED TOLERANCES FOR INCHES ARE: <.020 ± 0.002" .020 – .236 ± 0.004" .236 – 1.180 ± 0.007" 1.180 – 4.724 ± 0.012" ANGLES ± 1°		CHECKED	
DO NOT SCALE DRAWING		ISSUED	
		SHEET 1 OF 1	
		CAD FILE C:/CONNEX/122389.DWG	

<h1>Amphenol Connex</h1>			
PART DESCRIPTION			
TNC PANEL DIRECT SOLDER JACK (FOR .085",.086" CABLE)			
PART NO.			
122389			
DWG. NO.	122389.DWG	REV.	NC
SIZE	A	SCALE	NA