

Finger guards



- **Material:** Galvanized or nickel-plated steel wire
- **Note:** Finger guard according to DIN EN ISO 13857 (previously EN 294). Additional finger guards that do not satisfy DIN EN ISO 13857 available on request. Our finger guards are designed specifically to be used with ebm-papst fans. They combine the highest degree of safety with minimum effect on the operating noise. Please note that the safety-related clearances cannot be guaranteed when finger guards made by other manufacturers are used.

Fan series	Part no.
400	LZ29-1
420 J	LZ29-1
500	LZ31
600	LZ28-1
3000	LZ23-1
8000	LZ32-4 / LZ22-2
9000	LZ30-4 / LZ 30 / LZ 30-3
4000	LZ30-4 / LZ 30 / LZ 30-3

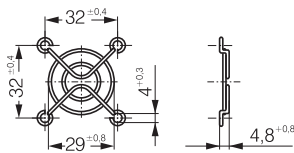
Fan series	Part no.
5100	LZ25
5600	LZ25
5200	LZ35
5300	LZ53
5900	LZ35
7000	LZ36
6300	LZ37
6400	LZ38

Fan series	Part no.	Side
2200 F	LZ22	
DV 4100	LZ30-4	Intake/outlet
DV 5200	LZ35	Intake/outlet
DV 6300 TD	LZ37	Intake side
DV 6300 TD	LZ52	Outlet side
DV 6400	LZ38	Intake side
DV 6400	LZ39	Outlet side

Subject to change

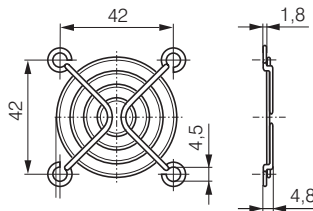
LZ29-1

Fan size 40 x 40



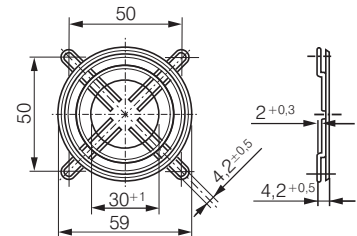
LZ31

Fan size 50 x 50



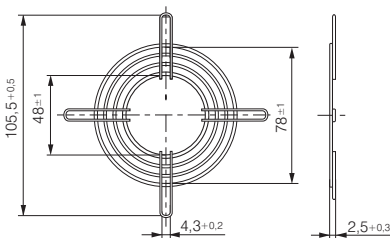
LZ28-1

Fan size 60 x 60



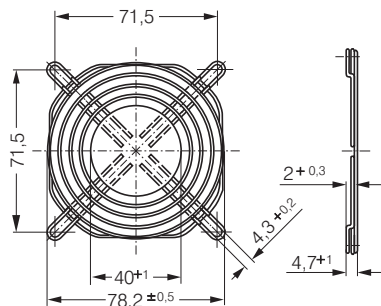
LZ22-2

Fan size 80 x 80



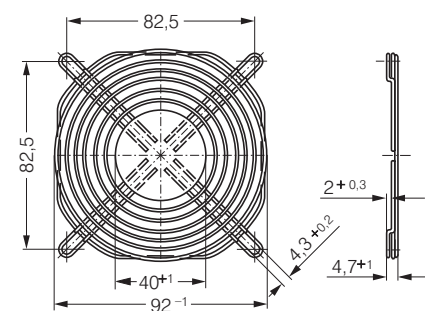
LZ32-4

Fan size 80 x 80

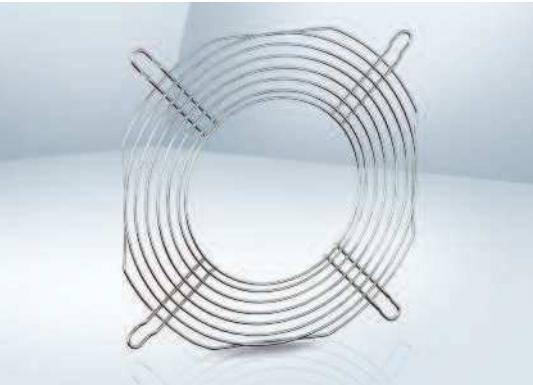


LZ23-1

Fan size 92 x 92



Finger guards



- **Material:** Galvanized or nickel-plated steel wire
- **Note:** Finger guard according to DIN EN ISO 13857 (previously EN 294).
The finger guard detailed on this page are intended specifically for the ACmaxx / GreenTech EC tubeaxial fan ranges and are mounted on the outlet side.

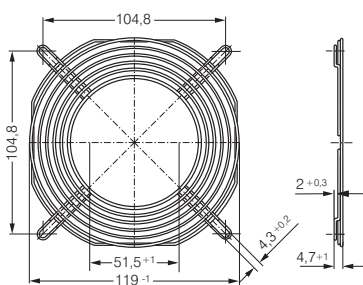
Fan series	Part no.	Side
AC 8300 H	LZ32-4	Intake
AC 8300 H	LZ32-7	Outlet
AC 3200 J	LZ23-1	Intake
AC 3200 J	LZ23-6	Outlet
AC 4400 FN	LZ30-4	Intake
AC 4400 FN	LZ30-9	Outlet
AC 4300	LZ30-4	Intake
AC 4300	LZ30-9	Outlet

Fan series	Part no.	Side
ACi 4400	LZ30	Intake
ACi 4400	LZ30	Outlet
AC 6200 N	LZ37	Intake
AC 6200 N	LZ37-2	Outlet

* Outlet-side guards on request

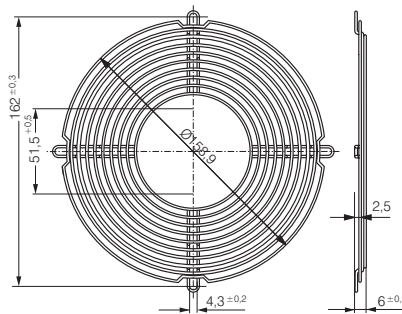
LZ30-9

Fan size 119 X 119



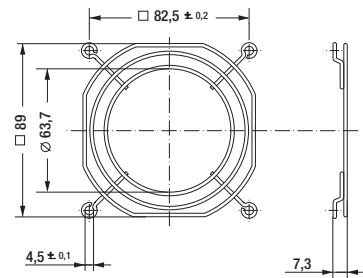
LZ37-2

Fan size Ø 172 X 51



LZ23-6

Fan size 92 x 92



LZ32-7

Fan size 80 x 80

