

2-967616-1 ✓ ACTIVE

AMP | MQS

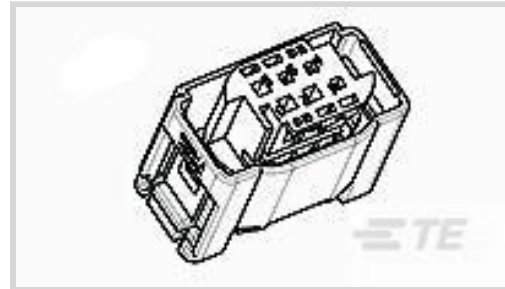
TE Internal #: 2-967616-1

MQS, Housing for Female Terminals, Wire-to-Wire / Wire-to-Board / Wire-to-Device, 6 Position, 2.54mm Centerline, Sealable, Gray, Signal

[View on TE.com >](#)



Connectors > Automotive Connectors > Connector Housings > MQS, CONNECTOR HOUSING



Connector & Housing Type: **Housing for Female Terminals**

Mating Tab Width: **.63 mm [.025 in]**

Connector System: **Wire-to-Board, Wire-to-Device, Wire-to-Wire**

Number of Positions: **6**

Centerline (Pitch): **2.54 mm**

[All MQS, CONNECTOR HOUSING \(575\)](#)

Features

Product Type Features

Connector & Housing Type	Housing for Female Terminals
Connector System	Wire-to-Board, Wire-to-Device, Wire-to-Wire
Sealable	Yes
Hybrid Connector	No
Primary Locking Feature	On the Terminal

Configuration Features

Number of Positions	6
Number of Rows	2

Electrical Characteristics

Operating Voltage	50 VDC
Nominal Voltage Architecture	12 V, 24 V, 42 V, 48 V

Body Features

Cable Exit Angle	180°
Body Material	PBT GF
Primary Product Color	Gray
Connector Code	B



Contact Features

Mating Tab Width	.63 mm[.025 in]
------------------	-----------------

Mechanical Attachment

Terminal Position Assurance	Yes
Strain Relief	No

Housing Features

Centerline (Pitch)	2.54 mm
--------------------	---------

Dimensions

Product Width	17 mm[.669 in]
Product Height	24 mm[.945 in]
Row-to-Row Spacing	6 mm[.236 in]

Usage Conditions

Operating Temperature (Max)	70 °C, 75 °C, 80 °C, 85 °C, 90 °C, 100 °C, 105 °C, 110 °C, 120 °C[158 °F][167 °F][176 ° F][185 °F][194 °F][212 °F][221 °F][230 °F][248 °F]
Operating Temperature Range	-40 – 120 °C[-40 – 248 °F]

Operation/Application

Circuit Application	Signal
---------------------	--------

Packaging Features

Packaging Quantity	1100
Packaging Method	Bag

Other

Serviceable	Yes
Connector Position Assurance Capable	No

Product Compliance

[For compliance documentation, visit the product page on TE.com>](#)

EU RoHS Directive 2011/65/EU	Compliant
EU ELV Directive 2000/53/EC	Compliant
China RoHS 2 Directive MIIT Order No 32, 2016	No Restricted Materials Above Threshold
EU REACH Regulation (EC) No. 1907/2006	Current ECHA Candidate List: JAN 2021 (211)

Candidate List Declared Against: JAN 2021 (211)

Does not contain REACH SVHC

Halogen Content

BFR/CFR/PVC Free, but Br/Cl >900 ppm in other sources.

Solder Process Capability

Not applicable for solder process capability

Product Compliance Disclaimer

This information is provided based on reasonable inquiry of our suppliers and represents our current actual knowledge based on the information they provided. This information is subject to change. The part numbers that TE has identified as EU RoHS compliant have a maximum concentration of 0.1% by weight in homogenous materials for lead, hexavalent chromium, mercury, PBB, PBDE, DBP, BBP, DEHP, DIBP, and 0.01% for cadmium, or qualify for an exemption to these limits as defined in the Annexes of Directive 2011/65/EU (RoHS2). Finished electrical and electronic equipment products will be CE marked as required by Directive 2011/65/EU. Components may not be CE marked. Additionally, the part numbers that TE has identified as EU ELV compliant have a maximum concentration of 0.1% by weight in homogenous materials for lead, hexavalent chromium, and mercury, and 0.01% for cadmium, or qualify for an exemption to these limits as defined in the Annexes of Directive 2000/53/EC (ELV). Regarding the REACH Regulation, the information TE provides on SVHC in articles for this part number is based on the latest European Chemicals Agency (ECHA) 'Guidance on requirements for substances in articles' posted at this URL: <https://echa.europa.eu/guidance-documents/guidance-on-reach>

Compatible Parts



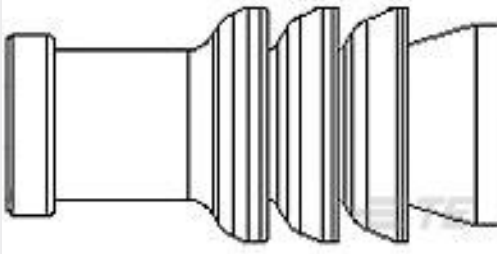
TE Part # CAT-M8793-CH8172
MQS, CONNECTOR HOUSING



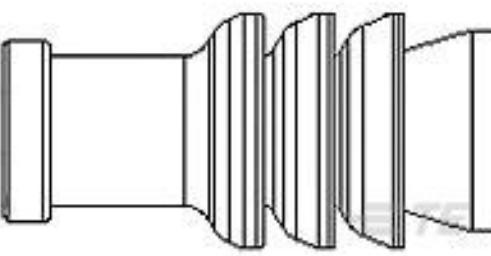
TE Part # CAT-M8793-T273
MQS, RECEPTACLE AND TAB



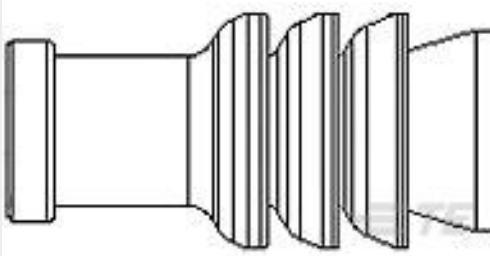
TE Part # CAT-SIGH262
SIGNAL HEADER



TE Part # 967056-1
MQS BLINDSTOPFEN4MM



TE Part # 967067-1
MQS SGL WIRE SEAL



TE Part # 967067-2
MQS EINZELLEITDICHT



TE Part # 1897096-2
WIRE COVER FOR MQS SLD 6P CONN'R

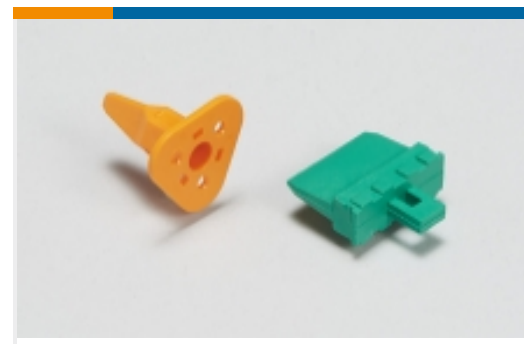
Also in the Series | **MQS**



Automotive Connector Caps & Covers (133)



Automotive Connector EMC Shielding (2)



Automotive Connector Locks & Position Assurance(29)



Automotive Headers(207)



Automotive Housings(498)



Automotive Seals & Cavity Plugs(26)



Automotive Terminals(98)



Data Connectivity Headers(1)



Insertion & Extraction Tools(42)



Other Automotive Connector Accessories(13)

Customers Also Bought



TE Part #1-1418469-1
HEAVY DUTY SEALED CONNECTOR HOUSINGS



TE Part #E62181-000
D-SCE FLUID RESISTANT SLEEVES



TE Part #1241765-2
MQS, CONNECTOR HOUSING



TE Part #1418408-1
AMP MCP, RECEPTACLE AND TAB



TE Part #1379100-1
COV+LEV MQS 18W 0DEG BLK



TE Part #1-1534097-1
MQS COVER 2X8P



TE Part #1355528-2
MPQ 2.KONT-SICHNG8P



TE Part #1-1355524-3
MQS ABDECKKAPPE 12P

Documents



Product Drawings

6POS MQS REC SEALED COD B

English

CAD Files

3D PDF

3D

Customer View Model

[ENG_CVM_CVM_2-967616-1_F.2d_dxf.zip](#)

English

Customer View Model

[ENG_CVM_CVM_2-967616-1_F.3d_igs.zip](#)

English

Customer View Model

[ENG_CVM_CVM_2-967616-1_F.3d_stp.zip](#)

English

By downloading the CAD file I accept and agree to the [Terms and Conditions](#) of use.

Datasheets & Catalog Pages

Micro Quadlok Interconnection System (MQS)

English

Product Specifications

SHROUDED CONNECTION, 6 POS.

English

Application Specification

English

CONNEXIONS ETANCHES 2,3,4,6,8 ET 12 POSITIONS Micro Quadlock System Micro Twinleaf

English

Application Specification

English

Application Specification

English