

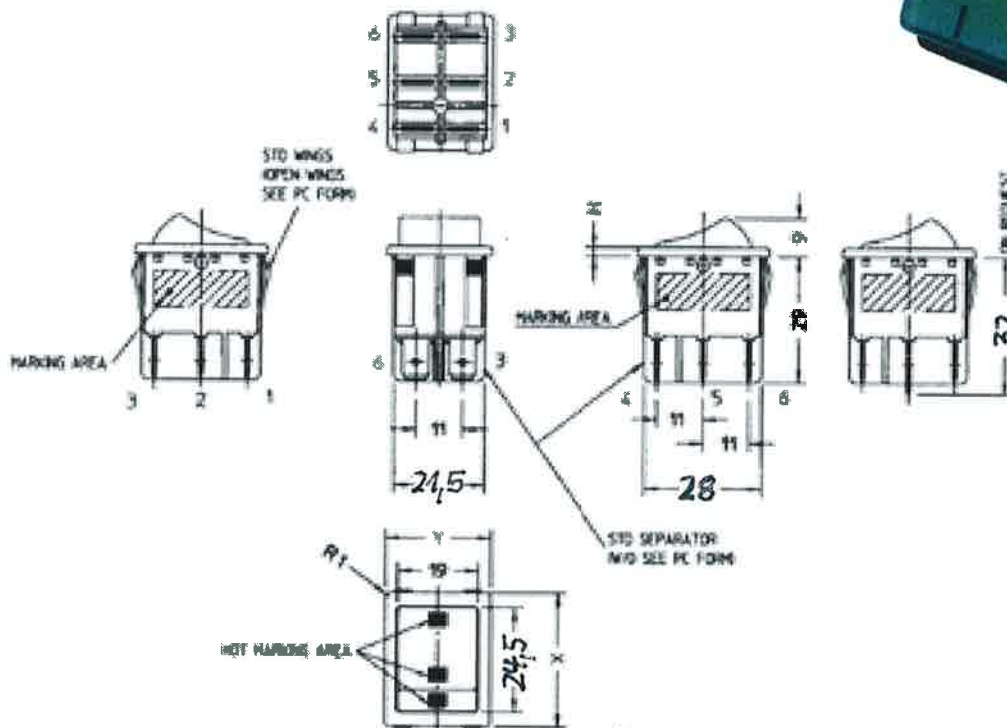
## Data sheet

### Article Description

#### Rocker switch Type 3636

16 (8) A, 250 V, 2-pole, on-/off-switch, T 125°,  
fitting dimensions 22 x 30 mm,  
4 x screw terminals,  
**illuminated**

### Article Picture



<i>inter BÄR-No.</i>	<i>colour housing/rocker</i>	<i>marking</i>
3636-250.22	black/green	black 0-I

**Technical modifications reserved!**  
**Works at 230 V-mains must only be carried out by a specialist!**