

KFM LED

Advanced multi-purpose LED magnifier.

LUXO



KFM LED has a robust all-metal construction with a sleek design, a flexible arm and excellent light output. It is suitable for all industrial purposes, for work in beauty parlours, clinics and laboratories, and as a tool for people with impaired vision.

Excellent optics

The 127 mm optical grade glass lens is of the highest quality, for the best possible viewing experience. This, in combination with the powerful LED light source, makes KFM LED one of the best multi-purpose magnifiers on the market today. The quality and exact positioning of the LEDs allows for virtually shadow-free magnification and excellent colour rendering.

Maximum flexibility and precision

The flexibility of the joint between lamp head and arm makes exact positioning easy. The spring balanced arm provides maximum vertical and horizontal movement, and will always stay in the right position without drifting.

The standard version is supplied with a 3D or 5D diopter glass lens. A cloth cover is provided to protect the lens from dust and to prevent the luminaire from inadvertently turning into a burning glass. Colours: White or light grey.

LED: Light source of the future!

KFM LED is equipped with two semi-circular LED modules with a total energy consumption of only 11 W. The modules are dimmable, and automatically turn themselves off after 4 or 9 hours in order to save energy. Light emitting diodes have an incredibly long life span. The diodes in KFM LED have a life expectancy of 50.000 hours. That means 25 years or more with normal use. You will never have to change the light source!

About magnification

Follow this link to read more about the principles of magnification, and how a Luxo magnifier can make a difference for people in many different fields of life.

• [Luxo illuminated magnifiers](#)

KFM LED



Light grey or white



KFM LED ESD



TECHNICAL DESCRIPTION

LIGHT SOURCE

Supplied with 2 semi-circular LED modules with a total energy consumption of only 11W.

Correlated colour temperature (CCT) is 4000°K. Colour rendition index (CRI) is 80.

The LED modules are dimmable, 1–100%.

BODY MATERIAL & COLOUR

Steel arm, shade in aluminium. Colour: White or light grey.

MOUNTING

Standard with table clamp (AH clamp). Other table clamps, integrated table mounts and trolley are available on request.

OPTICS

Standard with 3 or 5 diopter crown glass lens. For additional magnification a secondary lens, 4D, 6D or 10D can be attached to the magnifier.

POWER SUPPLY

Delivered with 2m cable and plug.

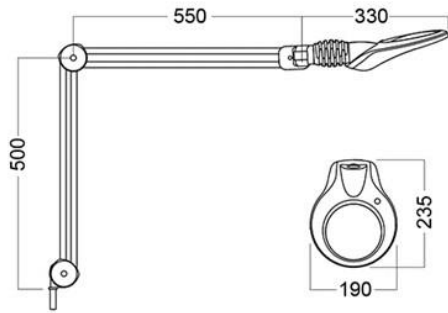
ARM TECHNOLOGY & MOVEMENT

Parallel, three-pivot arm. Arm length is 105 cm.

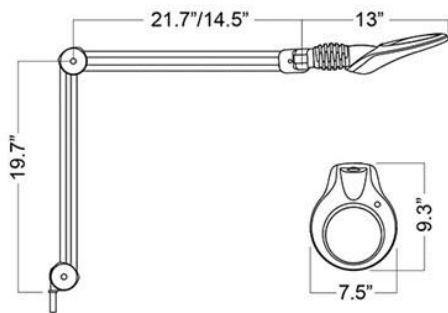
A shut-off function is integrated. The light will automatically shut off after 4 or 9 hours.

KFM LED

MEASUREMENT DRAWINGS



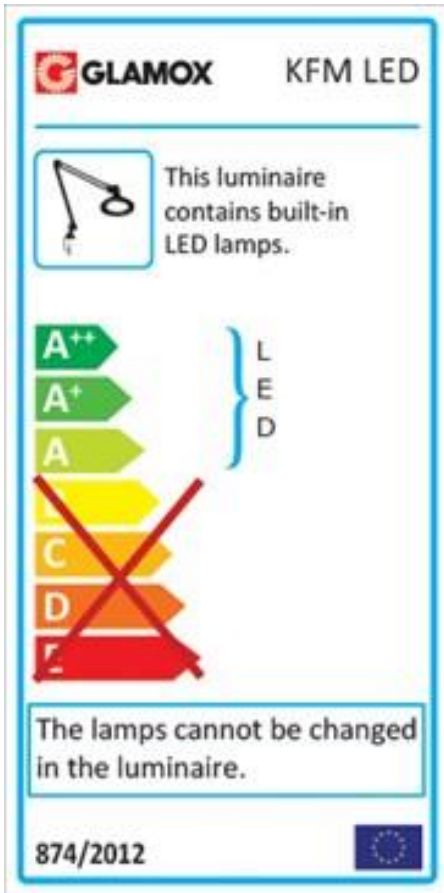
KFM LED



KFM LED (USA)

KFM LED

ENERGY LABEL



KFM LED

GALLERY



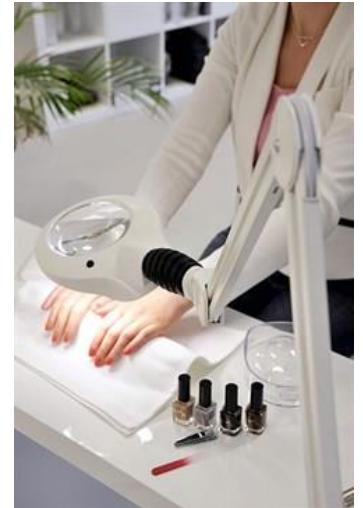
KFM LED



KFM LED



KFM LED



KFM LED