

## ► Safe rope-pull switch PSENRope

Whether on the assembly line or machine – where safety in the production area is concerned, the safe rope-pull switch PSENRope is a proven, reliable solution. PSENRope switches off functional processes by manual action. It provides maximum safety, as the emergency stop function can be triggered at any point along the rope.



PSEN rs1,0

PSEN rs2,0

### Optimum safety solution is as simple as that

PSENRope is flexible to use, easy to install and simple to operate. Whether it's a first-time installation or upgrade: the safe rope-pull switch PSENRope simplifies installation for you with its well thought-out technical details.

### Durable – even under extreme conditions

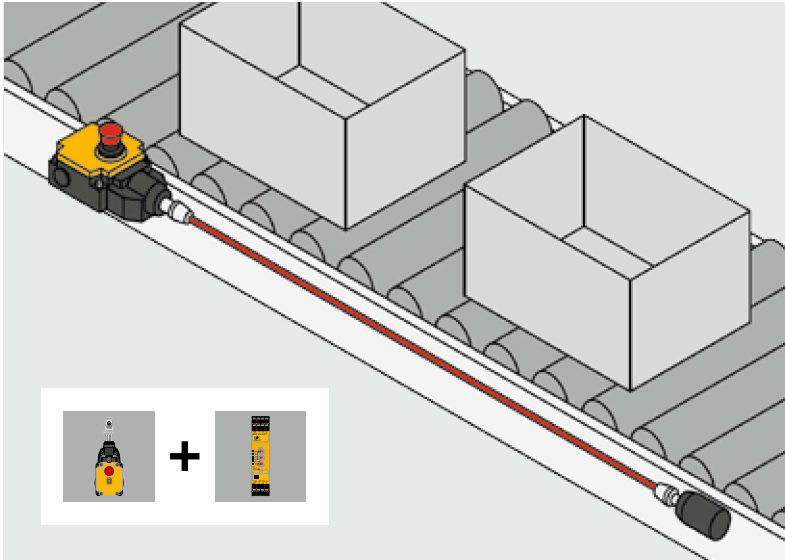
As the operating range of rope pull switches is limited only by the length of the rope, even large plants can be safeguarded using PSENRope. Due to its rugged finish, PSENRope is reliable even under extreme environmental conditions.



### Type code for PSENRope

#### PSEN rs1,0-300

Product area Pilz SENSors	Housing material	Contacts	Max. spring force to tension the rope
Product range rs – PSENRope	1 Aluminium injection moulding	0 2 NC, 2 NO	175 175 N 300 300 N
Operation Mechanical	2 Plastic		



**Your benefits at a glance**

- ▶ High level of safety:
  - Safe from manipulation
  - Wiring space physically separate from mechanics
  - Double-function emergency stop button and pull release
- ▶ Whether it's a first-time installation or upgrade: PSENrope simplifies installation
- ▶ Suitable for indoor and outdoor use thanks to rugged, hard-wearing metal or plastic housing



Greater safety on the production line: The rapid emergency stop with rope pull switch PSENrope in combination with the safety relay PNOZsigma.

**Selection guide – Safe rope pull switch PSENrope**



PSEN rs1.0-175

Type	Housing material	Maximum rigging length	Certification	Order number
PSEN rs1.0-175	Aluminium injection moulding	37.5 m	DGUV, EAC, CSA	570 301
PSEN rs1.0-300	Aluminium injection moulding	75.0 m	DGUV, EAC, CSA	570 300
PSEN rs2.0-175	Plastic	37.5 m	DGUV, EAC, CSA	570 303
PSEN rs2.0-300	Plastic	75.0 m	DGUV, EAC, CSA	570 302

**Common features**

- ▶ Suitable for applications up to:
  - PL e of EN ISO 13849-1
  - SIL CL 3 of EN/IEC 62061
- ▶ Emergency stop button integrated
- ▶ Contacts: 2 NC, 2 NO
- ▶ Protection type: IP67
- ▶ Ambient temperature:
  - PSEN rs1.0: -30 ... +80 °C
  - PSEN rs2.0: -25 ... +70 °C
- ▶ Dimensions (H x W x D) in mm:
  - PSEN rs1.0: 237 x 90.0 x 88
  - PSEN rs2.0: 294 x 42.5 x 88

Cable and other accessories:

From page 108

Keep up-to-date on safe rope-pull switches PSENrope:

Webcode: web6568

Online information at [www.pilz.com](http://www.pilz.com)

## ► Selection guide – Accessories PSENrope, PSEN

### Accessories PSENrope



PSEN rs pulley flex



PSEN rs spring

Description Type	Features	Quantity	Order number
Block rope pulley <b>PSEN rs pulley flex</b>	Rotatable	1	570313
Rope for rope pull switch <b>PSEN rs rope d3/d4</b>	<ul style="list-style-type: none"> <li>▶ Rope diameter: 3 mm</li> <li>▶ Insulation diameter: 4 mm</li> <li>▶ PVC sheath, red</li> </ul>	1	50 m ____ 570314 100 m ____ 570315
Guide roller <b>PSEN rs pulley 75</b>	Ø 75 mm	1	570312
Cage clamp <b>PSEN rs spring</b>	Steel, max. spring force to tension the rope		
	175 N	1	570310
	300 N	1	570311

### Accessories PSENmech

Description Type	Features	Quantity	Order number
One-way screw to secure the actuator	<ul style="list-style-type: none"> <li>▶ Stainless steel</li> <li>▶ Drive: One-way slit (safety screw)</li> </ul>		
<b>PSEN screw M4x16</b>	<ul style="list-style-type: none"> <li>▶ M4, 16 mm</li> <li>▶ Suitable for PSEN me1/1AS and PSEN me4</li> </ul>	10	540310
<b>PSEN screw M5x20</b>	<ul style="list-style-type: none"> <li>▶ M5, 20 mm</li> <li>▶ Suitable for PSEN me1/1AR, PSEN me2 and PSEN me3</li> </ul>	10	540312