

Features

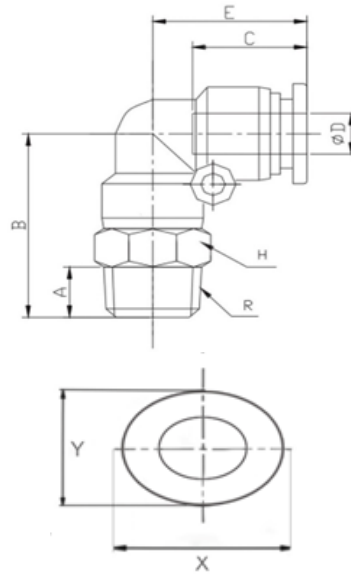
- One-Touch tube fittings are used in pneumatics piping
- The tube fittings come in a wide variety of models to meet all your needs in pneumatics piping
- Even after installation, the direction of the tube can be changed freely
- Nickel-Plated brass body ensures Anti-Corrosion and Anti-Contamination
- All R and NPT threads are Pre-Coated sealant
- All cylindrical threads are standard with O-Ring seals



Specification

Medium	Air, Vacuum
Operating Pressure	0-1.0 Mpa
Max Pressure	1.5 Mpa
Operating Temperature	5-60 °C
Body Material	Brass / Polybutylene terephthalate (PBT)

Product Range & Drawing



Part Number	øD (mm)	R	A (mm)	B (mm)	E (mm)	H (mm)	X (mm)	Y (mm)	C (mm)
RND 425-00129	6	R 1/8	7	24.5	18	12	13.8	12.5	15
RND 425-00130	6	R 1/4	9	27	18	14	13.8	12.5	15
RND 425-00131	6	R 3/8	10	28	18	17	13.8	12.5	15
RND 425-00132	6	R 1/2	13	32	18	21	13.8	12.5	15
RND 425-00133	8	R 1/8	7	28.5	21.5	14	15.8	13.9	16.8
RND 425-00134	8	R 1/4	9	30.5	21.5	14	15.8	13.9	16.8
RND 425-00135	8	R 3/8	10	31.5	21.5	17	15.8	13.9	16.8
RND 425-00136	8	R 1/2	13	35.5	21.5	21	15.8	13.9	16.8
RND 425-00137	10	R 1/4	9	31.5	23	17	19.4	17	19.3
RND 425-00138	10	R 3/8	10	33.5	23	17	19.4	17	19.3
RND 425-00139	10	R 1/2	13	37	23	21	19.4	17	19.3
RND 425-00140	12	R 1/4	9	35.5	28	21	21.7	20	22.3
RND 425-00141	12	R 3/8	10	37	28	21	21.7	20	22.3
RND 425-00142	12	R 1/2	13	40	28	21	21.7	20	22.3