
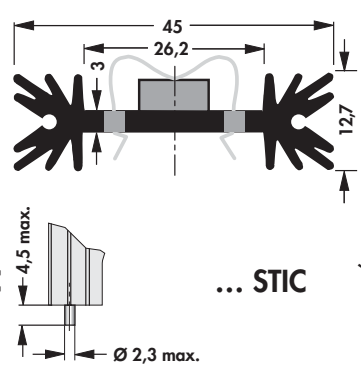
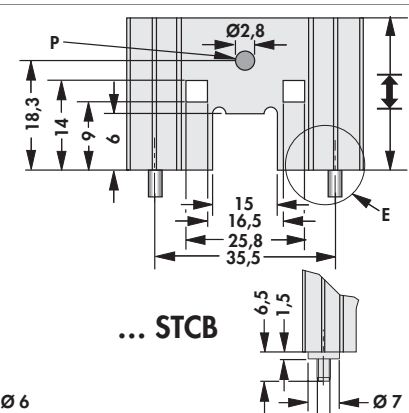
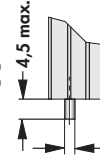
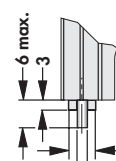
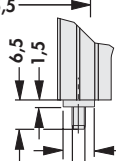

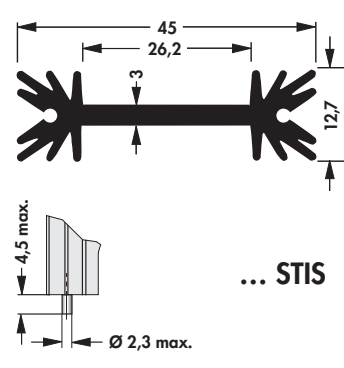
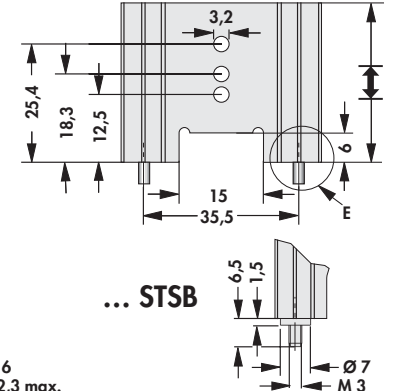
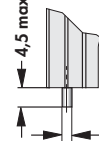
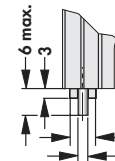
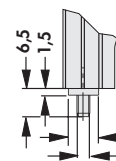


## Extruded heatsinks for PCB mounting

- for semiconductor clip-mounting
- special lengths and transistor drillings on request
- **P** = raised retaining stud, **E** = mounting method

						
						
<b>art. no.</b>	↔ [mm]	$R_{th}$ [K/W]	⚡			
<b>SK 409 25,4 ...</b>	25.4	8.2	TO 220/ TO 3 P			
<b>SK 409 38,1 ...</b>	38.1	7.0	TO 220/ TO 3 P			
<b>SK 409 50,8 ...</b>	50.8	6.2	TO 220/ TO 3 P			
<b>SK 409 63,5 ...</b>	63.5	5.6	TO 220/ TO 3 P			
<b>please indicate:</b>	<b>... mounting method</b>					
	<b>STC = with solder pin</b>					
	<b>STIC = with solder pin and insulating washer</b>					
	<b>STCB = with threaded bolt M3, brass</b>					
<b>surface:</b>	black anodised					

- for semiconductor screw-mounting
- special lengths and transistor drillings on request
- **E** = mounting method

						
						
<b>art. no.</b>	↔ [mm]	$R_{th}$ [K/W]	⚡			
<b>SK 409 25,4 ...</b>	25.4	8.2	TO 220/ TO 3 P			
<b>SK 409 38,1 ...</b>	38.1	7.0	TO 220/ TO 3 P			
<b>SK 409 50,8 ...</b>	50.8	6.2	TO 220/ TO 3 P			
<b>SK 409 63,5 ...</b>	63.5	5.6	TO 220/ TO 3 P			
<b>please indicate:</b>	<b>... mounting method</b>					
	<b>STS = with solder pin</b>					
	<b>STIS = with solder pins and insulating washer</b>					
	<b>STSB = with threaded bolt M3, brass</b>					
<b>surface:</b>	black anodised					