



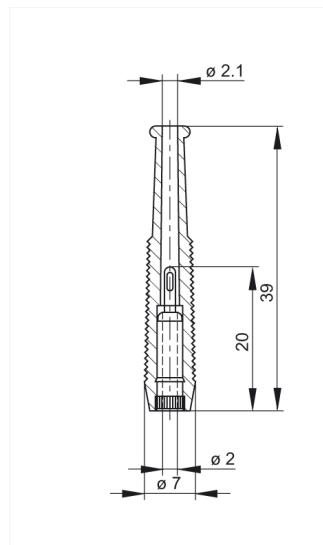
## MKU 1 schwarz/black

Industrial Connectors:Measuring and Testing Equipment:Sockets:2 mm system

### Product description

Description	2 mm diameter miniature coupling, insulated, nickel-plated copper beryllium contact (spring-loaded) with solder connection. Flexible, shatter-proof insulated sleeve. For making up connecting leads with a maximum external diameter of 2 mm.
Type	MKU 1 schwarz/black
Order No.	930 320-100
System	2 mm system
Housing Color	black
Other standard types	red color, order no. 930 320-101

### Drawing



### Technical data

Type of contact	socket (spring-loaded)
Type of termination	solder
Rated voltage	DC 60 V
Rated current	6 A
Contact resistance	6 mOhm
Mounting	screw

### Material

Contact material	copper beryllium
Contact surface material	tin-plated
Housing material	PVC-P

### Environmental conditions

Temperature range	-20 °C to +60 °C
-------------------	------------------

### Inflammability class

Housing	94 V-0
---------	--------