

Stainless Shakeproof Washers



DESCRIPTION

A range of Stainless Steel Shakeproof Washers (also known as a lock washers) with good corrosion resistance.

Designed to prevent nuts and bolts from turning, slipping and loosening due to vibration or torque. They work by preventing the fixing screw/bolt and nut from rotating, by locking the fixing firmly in place. Their internal tooth design makes them suitable for use with fasteners with small heads.

DISTINCTIVE FEATURES

- Locking Action
- Stainless Steel, Grade A2
- Self-coloured Finish
- Corrosion Resistant
- Non-magnetic
- Internal Tooth Style
- M2.5, M3 and M4 options
- Supplied in packs of 100

APPLICATIONS

Suitable for general use in environments where vibration could result in loosening of fastenings over time.

The lock washer should be placed under your threaded fastener - i.e., underneath a nut or the head of a screw or bolt. In assemblies where you have a nut and a bolt, the washer should be placed between the nut and the head of the bolt. The threaded fastener can then be tightened as normal. The lock washer must sit tightly and securely against both surfaces.

Typical applications include industrial, domestic appliances, general manufacturing, maintenance and repair. Suitable for outdoor use and where improved corrosion resistance is required. Also suitable for use in food, medical and non-severe chemical environments.

Note: Not suitable for use with non-oxidising acids and agents or in chloride rich environments.





GENERAL SPECIFICATION

Series	Shakeproof Washer
Type	Internal Toothed



MATERIALS

Material	A2 Stainless Steel
Finish	Self Colour



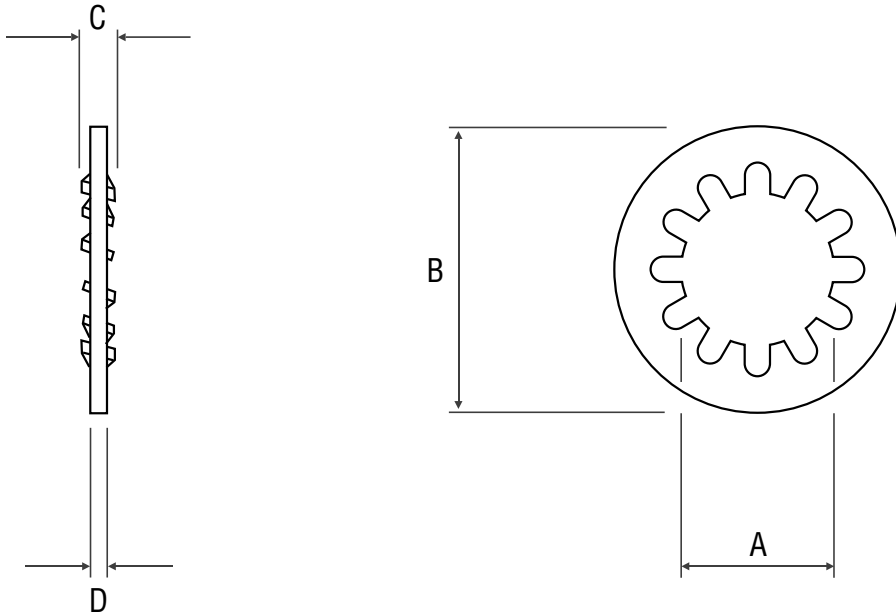
CERTIFICATION AND STANDARDS

Material Specification	DIN 6797J
------------------------	-----------



DIMENSIONS/DRAWINGS

Units	mm - unless stated otherwise
-------	------------------------------



PART NUMBER TABLE

Part number	Size	A	B	C	D	Pack quantity	UNSPSC	EAN	Country of Origin
33-7176	M2.5	2.7	5.5	0.8	0.4	100	73182100	5053556010899	United Kingdom
33-7177	M3	3.2	6.0	0.8	0.4		73182100	5053556010905	United Kingdom
33-7178	M4	4.3	8.0	1.0	0.5		73182100	5053556010912	United Kingdom

For further information on pricing, delivery, and long-term stock agreements please get in touch with your local business development contact, telephone our main office on **01206 838000** or email **Sales@Rapidonline.com**.



Important Notice: This data sheet and its contents (the "Information") belong to Rapid Electronics Limited or are licensed to it. No licence is granted for the use of it other than for information purposes in connection with the products to which it relates. No licence of any intellectual property rights is granted. The Information is subject to change without notice and replaces all data sheets previously supplied. The Information supplied is believed to be accurate but Rapid Electronics Limited assumes no responsibility for its accuracy or completeness, any error in or omission from it or for any use made of it. Users of this data sheet should check for themselves the Information and the suitability of the products for their purpose and not make any assumptions based on information included or omitted. Liability for loss or damage resulting from any reliance on the Information or use of it (including liability resulting from negligence or where Rapid Electronics Limited were aware of the possibility of such loss or damage arising) is excluded. This will not operate to limit or restrict Rapid Electronics Limited's liability for death or personal injury resulting from its negligence.