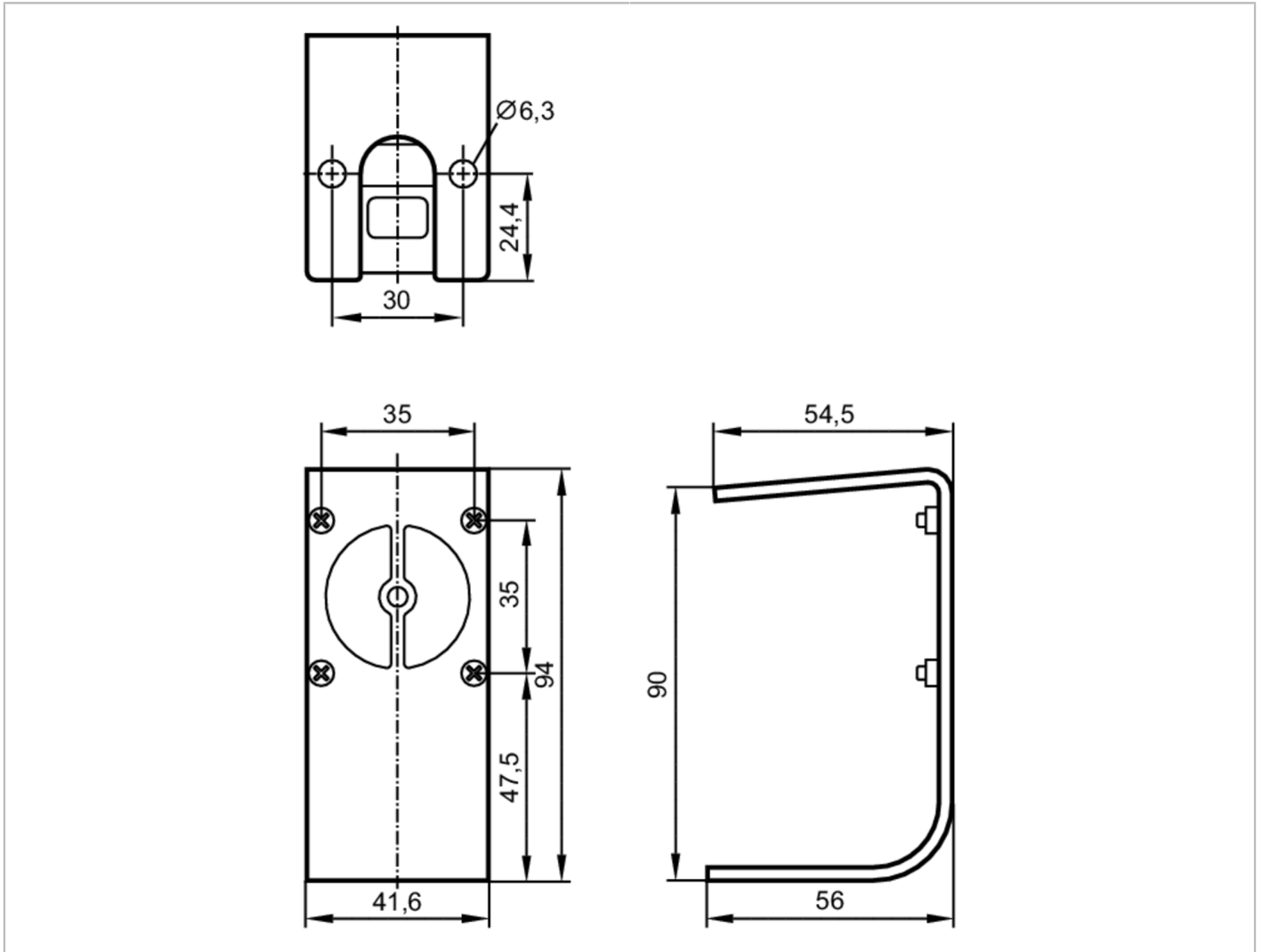


E21236



Protective bracket for distance measurement sensors

PROTECTIVE BRACKET FOR O1D



Mechanical data

Weight	[g]	166.5
Dimensions	[mm]	90 x 56 x 41.6
Materials	Angle brackets: stainless steel (1.4401 / 316); screws: stainless steel; Sleeve: PA	

Remarks

Pack quantity	1 pcs.
---------------	--------