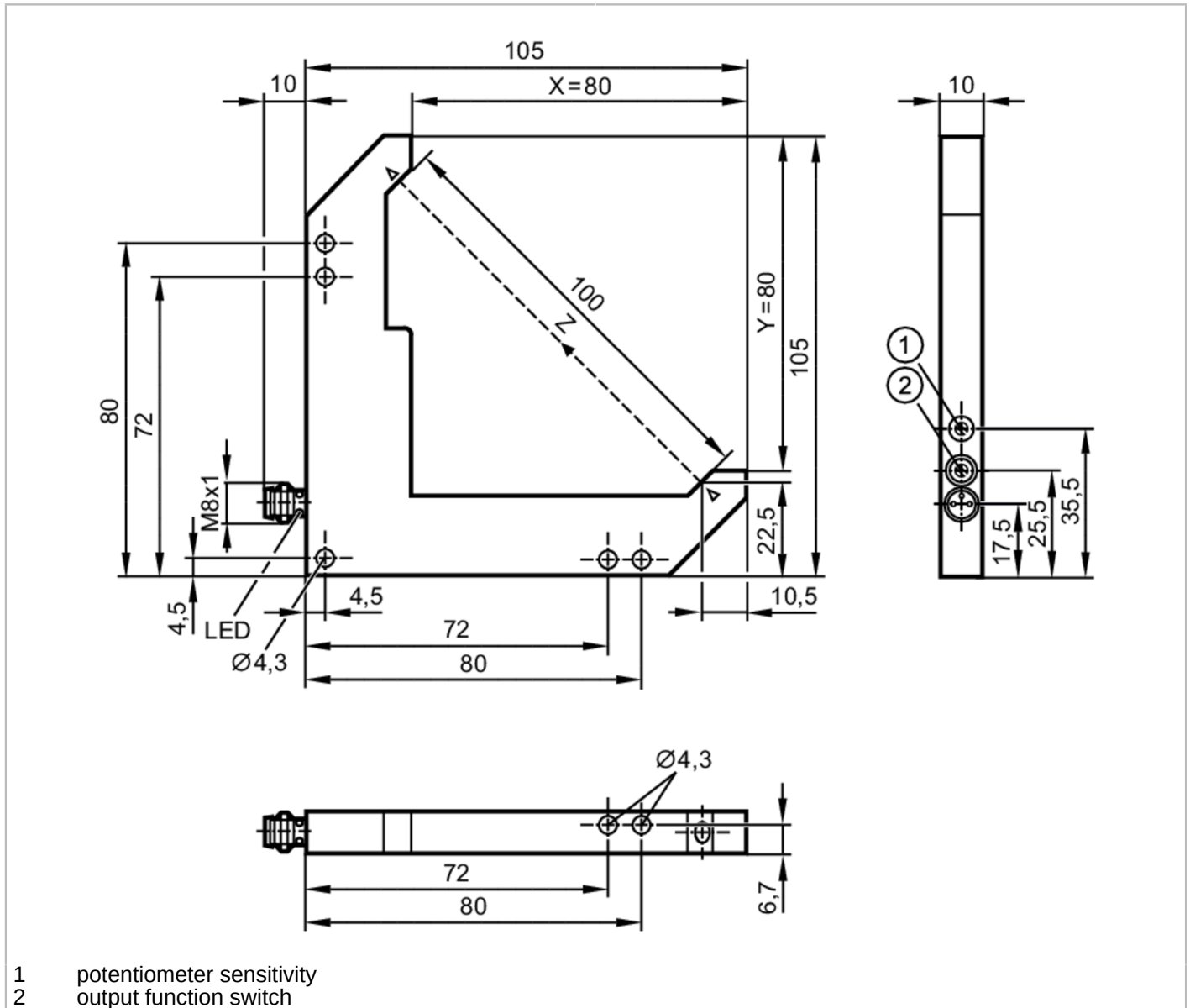


OPL203



Photoelectric angle sensor

OPL-FNKG/IO-LINK/AS



Product characteristics

Type of light	red light
Communication interface	IO-Link
Dimensions [mm]	105 x 10 x 105

Electrical data

Operating voltage [V]	10...30 DC; (operating voltage "supply class 2" according to cULus)
Current consumption [mA]	< 30
Protection class	III
Reverse polarity protection	yes
Type of light	red light
Wave length [nm]	660



Photoelectric angle sensor

OPL-FNKG/IO-LINK/AS

Outputs		
Electrical design		NPN
Output function		light-on/dark-on mode; (selectable)
Max. voltage drop switching output DC	[V]	1
Permanent current rating of switching output DC	[mA]	100
Switching frequency DC	[Hz]	5000
Short-circuit protection		yes
Type of short-circuit protection		pulsed
Overload protection		yes
Detection zone		
Diameter of the smallest detectable object	[mm]	0.3
Interfaces		
Communication interface		IO-Link
Transmission type		COM2 (38,4 kBaud)
IO-Link revision		1.1
SDCI standard		IEC 61131-9
IO-Link device ID		1103 d / 00 04 4F h
Profiles		Smart Sensor: Device Identification; Device Diagnosis; Teach Channel; Switching Channel; Process Data Variable
SIO mode		yes
Required master port type		A
Min. process cycle time	[ms]	3.2
Operating conditions		
Ambient temperature	[°C]	-25...60
Protection		IP 67
Tests / approvals		
EMC		EN 60947-5-2
MTTF	[years]	709
Mechanical data		
Weight	[g]	182
Dimensions	[mm]	105 x 10 x 105
Side length X	[mm]	80
Side length Y	[mm]	80
Sensor width Z	[mm]	100
Materials		housing: diecast zinc black anodised; lens: glass
Displays / operating elements		
Display	switching status	1 x LED, yellow
Remarks		
Remarks		operating voltage "supply class 2" according to cULus
Pack quantity		1 pcs.

OPL203



Photoelectric angle sensor

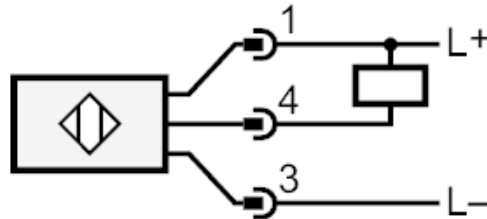
OPL-FNKG/IO-LINK/AS

Electrical connection

Connector: 1 x M8



Connection



4

OUT / IO-Link