

MIRO SAFE+ SWITCH BA L 24

24 VAC/DC - 3 N/O contact / 1 N/C contact

8 A

Screw terminals

Protection-door and emergency-stop control

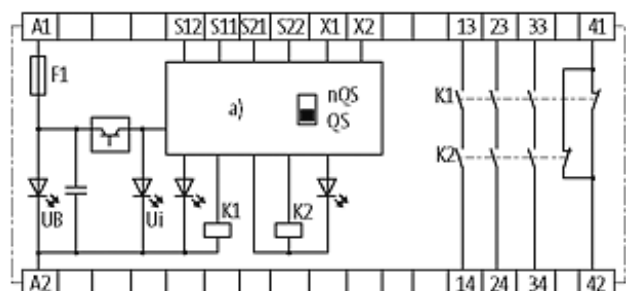
Light curtain control

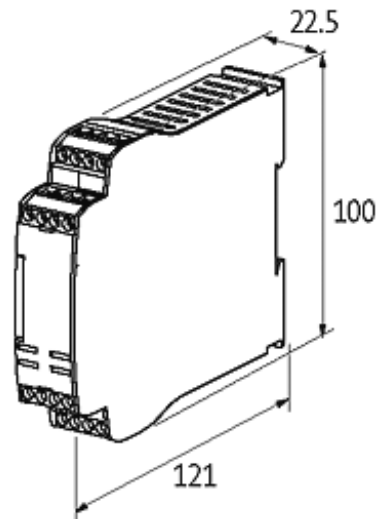
Safety magnetic switch control

Automatic/manual reset/start

[Link to Product](#)

Illustration





Product may differ from Image

Approvals



Utilization category

Safety contacts (STOP 0)	max. 250 V AC/8 A; min. 10 V AC/10 mA (ohm./ind.), at suitable suppression
AC-15	6 A (230 V AC) STOP0
DC-13	6 A (24 V DC) STOP0

Input

Input voltage	24 V DC (-15/+20 %), 24 V AC (-15/+10 %)
Input current	max. 4.9 VA/2.0 W

Safety Indicators

PL	up to e
Category	up to 4
DC	99 %
SIL	up to 3
Service life	20 years

General data

Mech./ elect. life	10.000.000 switching cycles/load dependent
Connection	Screw terminals
Mounting method	DIN-rail mountable (EN 60715)
Dimensions H x W x D	100x22.5x121 mm
Temperature range	-25...+60 °C (storage temperature -40...+85 °C)

Output

Switching voltage	max. 250 V AC/DC
-------------------	------------------

Switching current per output	max. 8 A
Total current	24 A (45 °C); 18 A (55 °C); 12 A (60 °C)
Number of auxiliary contacts	1 - (41-42)
Number of alarm outputs	0
Number of safety contacts	3 - (13-14); (23-24); (33-34)
Contact material	AgSnO, self cleaning, positively driven

Commercial data

country of origin	DE
customs tariff number	85364900
minimum order quantity	1