

SVS VALVE PLUG FORM B 10 MM FIELD-WIREABLE

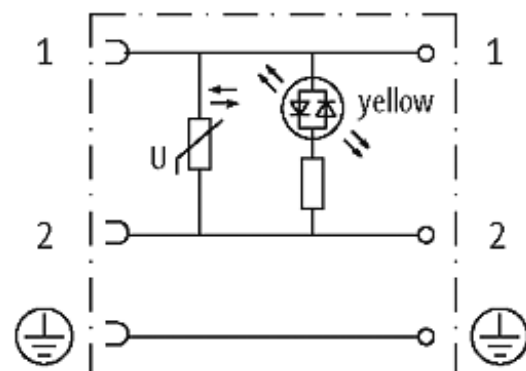
230V LED+VDR M16x1.5

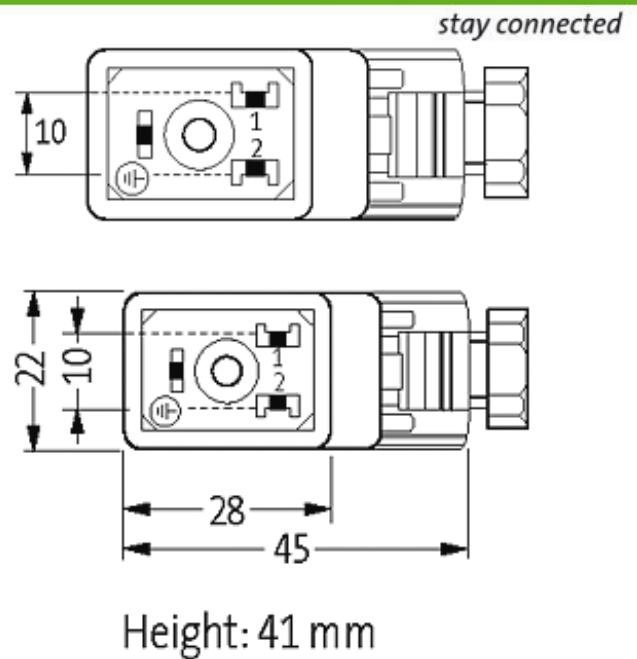
Form B (10 mm)
230 V AC/DC with LED and VDR
metric

Plastic housings with good resistance against chemicals and oils. The resistance to aggressive media should be individually tested for your application. Further details on request.

[Link to Product](#)

Illustration





Product may differ from Image

Approvals



Form

29681

Technical Data

Operating voltage	230 V AC/DC $\pm 10\%$
LED display	(yellow)
Current consumption	approx. 12 mA
Switch off peak	max. 450 V
Switch off delay time	max. 15 ms
Max. power (W)	max. 100 W(VA)
Compression gland	M16 \times 1.5 mm
Sealing range (cable diameter)	5...10 mm
Plug color	Black housing, transparent flip top
Protection	IP65 inserted and tightened (EN 60529), with gland
Locking of ports	M3 (recommended torque 0.4 Nm)
Connection cross section	4 mm ² single core, with ferrule end 1.5 mm ²
Operating current per contact	max. 1 A

General data

Temperature range -20...+60 °C

Commercial data

country of origin CZ

customs tariff number	85369010
minimum order quantity	1
