



ALL RIGHTS RESERVED. NO PORTION OF THIS PUBLICATION, WHETHER IN WHOLE OR IN PART CAN BE REPRODUCED WITHOUT THE EXPRESS WRITTEN CONSENT OF SPC TECHNOLOGY.

SPC-F008.DWG

REVISIONS

DOC. NO. SPC-F008 \* Effective: 7/8/02 \* DCP No: 1308

DCP #	REV	DESCRIPTION	DRAWN	DATE	CHECKD	DATE	APPRVD	DATE
1991	A	RELEASED	JN	11/18/08	JWM	11/18/08	JWM	11/18/08



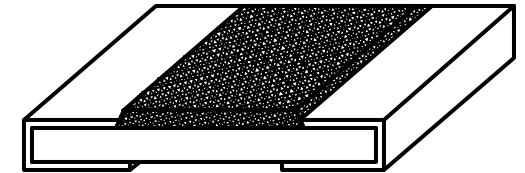
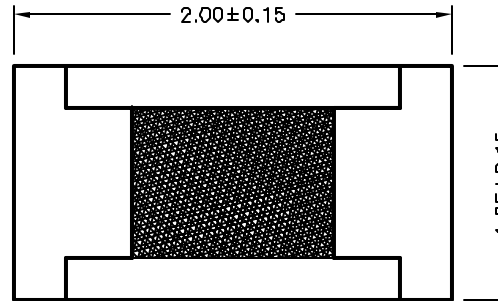
RoHS Compliant



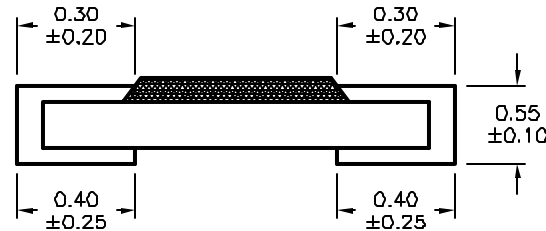
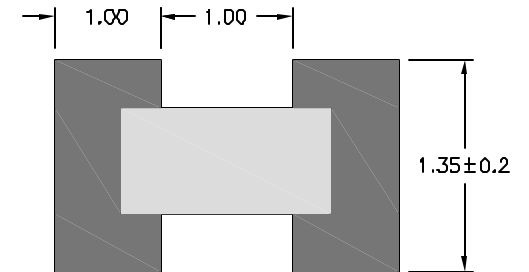
RoHS Compliant

Features:

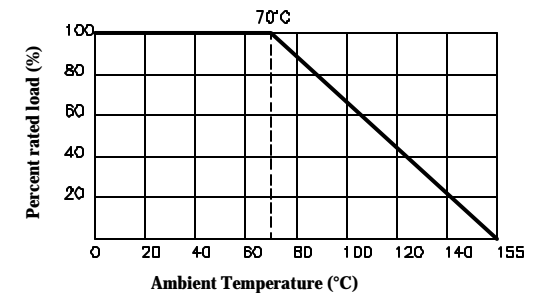
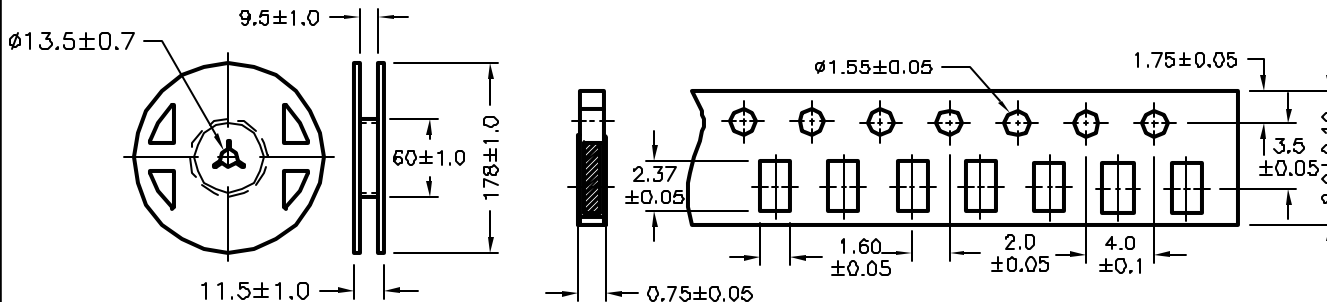
- Thin Film Passivated NiCr Resistor
- Very Tight Tolerance from  $\pm 0.01\%$  -  $1\%$
- Extremely Low TCR from  $\pm 5 \sim \pm 50$  PPM/ $^{\circ}\text{C}$
- Wide R-Value Range
- Power Rating: 1/10W
- Operating Temp. Range:  $-55^{\circ}\text{C} \sim +155^{\circ}\text{C}$
- Max. Operating Voltage: 100V
- Max. Overloading Voltage: 200V
- TCR (PPM/ $^{\circ}\text{C}$ ):  $\pm 25, \pm 50$



Recommended Land Pattern



Tape & Reel Dimension



DISCLAIMER:  
ALL STATEMENTS AND TECHNICAL INFORMATION CONTAINED HEREIN ARE BASED UPON INFORMATION AND/OR TESTS WE BELIEVE TO BE ACCURATE AND RELIABLE. SINCE CONDITIONS OF USE ARE BEYOND OUR CONTROL, THE USER SHALL DETERMINE THE SUITABILITY OF THE PRODUCT FOR THE INTENDED USE AND ASSUME ALL RISK AND LIABILITY WHATSOEVER IN CONNECTION THEREWITH.

TOLERANCES:  
UNLESS OTHERWISE SPECIFIED, DIMENSIONS ARE FOR REFERENCE PURPOSES ONLY.

DRAWN BY:	DATE:
Jason Nash	11/18/08
CHECKED BY:	DATE:
JWM	11/18/08
APPROVED BY:	DATE:
JWM	11/18/08

DRAWING TITLE: Thin Film Precision Resistor, EIA Size 0805, 1/10 Watt			
SIZE	DWG. NO.	ELECTRONIC FILE	REV
A	Ta-1048	Ta-1048.DWG	A
SCALE: NTS	U.O.M.: Millimeters	SHEET: 1 OF 2	

Mfg. P/N	Resistance	Voltage Range	Unit of Measure	Quantity
MCTF0805BTC1000	100ohm	100V	TR/TC	Spool of 5,000/ Ea.
MCTF0805BTC1001	1kohm	100V	TR/TC	Spool of 5,000/ Ea.
MCTF0805BTC1002	10kohm	100V	TR/TC	Spool of 5,000/ Ea.
MCTF0805BTC1003	100kohm	100V	TR/TC	Spool of 5,000/ Ea.
MCTF0805BTC1004	1Mohm	100V	TR/TC	Spool of 5,000/ Ea.
MCTF0805BTC1202	12kohm	100V	TR/TC	Spool of 5,000/ Ea.
MCTF0805BTC1501	1.5kohm	100V	TR/TC	Spool of 5,000/ Ea.
MCTF0805BTC1502	15kohm	100V	TR/TC	Spool of 5,000/ Ea.
MCTF0805BTC1503	15kohm	100V	TR/TC	Spool of 5,000/ Ea.
MCTF0805BTC2001	2kohm	100V	TR/TC	Spool of 5,000/ Ea.
MCTF0805BTC2002	20kohm	100V	TR/TC	Spool of 5,000/ Ea.
MCTF0805BTC2003	200kohm	100V	TR/TC	Spool of 5,000/ Ea.
MCTF0805BTC3001	3kohm	100V	TR/TC	Spool of 5,000/ Ea.
MCTF0805BTC4991	4.99kohm	100V	TR/TC	Spool of 5,000/ Ea.
MCTF0805BTC4992	49.9kohm	100V	TR/TC	Spool of 5,000/ Ea.
MCTF0805DTC1000	100ohm	100V	TR/TC	Spool of 5,000/ Ea.
MCTF0805DTC1001	1kohm	100V	TR/TC	Spool of 5,000/ Ea.
MCTF0805DTC1002	10kohm	100V	TR/TC	Spool of 5,000/ Ea.
MCTF0805DTC1003	100kohm	100V	TR/TC	Spool of 5,000/ Ea.
MCTF0805DTC2001	2kohm	100V	TR/TC	Spool of 5,000/ Ea.
MCTF0805DTC49R9	49.9ohm	100V	TR/TC	Spool of 5,000/ Ea.
MCTF0805ATX1202	12kohm	100V	Tape & Reel	Spool of 1,000
MCTF0805ATX1501	1.5kohm	100V	Tape & Reel	Spool of 1,000
MCTF0805ATX1502	15kohm	100V	Tape & Reel	Spool of 1,000
MCTF0805ATX1503	150kohm	100V	Tape & Reel	Spool of 1,000
MCTF0805ATX2002	20kohm	100V	Tape & Reel	Spool of 1,000
MCTF0805ATX2003	200kohm	100V	Tape & Reel	Spool of 1,000
MCTF0805ATX3001	3kohm	100V	Tape & Reel	Spool of 1,000
MCTF0805ATX499	499ohm	50V	Tape & Reel	Spool of 1,000
MCTF0805ATX750	75ohm	100V	Tape & Reel	Spool of 1,000
MCTF0805ATY1202	12kohm	100V	Tape & Reel	Spool of 1,000
MCTF0805ATY1503	150kohm	100V	Tape & Reel	Spool of 1,000
MCTF0805ATY2001	2kohm	100V	Tape & Reel	Spool of 1,000
MCTF0805ATY2002	20kohm	100V	Tape & Reel	Spool of 1,000
MCTF0805ATY2003	200kohm	100V	Tape & Reel	Spool of 1,000
MCTF0805ATY499	49.9ohm	100V	Tape & Reel	Spool of 1,000
MCTF0805ATY4991	4.99kohm	100V	Tape & Reel	Spool of 1,000
MCTF0805ATY4992	49.9kohm	100V	Tape & Reel	Spool of 1,000
MCTF0805ATZ1202	12kohm	100V	Tape & Reel	Spool of 1,000
MCTF0805ATZ1502	15kohm	100V	Tape & Reel	Spool of 1,000
MCTF0805ATZ2001	2kohm	100V	Tape & Reel	Spool of 1,000
MCTF0805ATZ2002	20kohm	100V	Tape & Reel	Spool of 1,000
MCTF0805ATZ499	49.9ohm	50V	Tape & Reel	Spool of 1,000
MCTF0805TTX1000	100ohm	100V	Tape & Reel	Spool of 1,000
MCTF0805TTX1001	1kohm	100V	Tape & Reel	Spool of 1,000
MCTF0805TTX1002	10kohm	100V	Tape & Reel	Spool of 1,000
MCTF0805TTX1003	100kohm	100V	Tape & Reel	Spool of 1,000
MCTF0805TTY1000	100ohm	100V	Tape & Reel	Spool of 1,000
MCTF0805TTY1001	1kohm	100V	Tape & Reel	Spool of 1,000
MCTF0805TTY1002	10kohm	100V	Tape & Reel	Spool of 1,000
MCTF0805TTY1003	100kohm	100V	Tape & Reel	Spool of 1,000
MCTF0805TTZ1000	100ohm	100V	Tape & Reel	Spool of 1,000
MCTF0805TTZ1001	1kohm	100V	Tape & Reel	Spool of 1,000
MCTF0805TTZ1002	10kohm	100V	Tape & Reel	Spool of 1,000

ALL RIGHTS RESERVED. NO PORTION OF THIS PUBLICATION, WHETHER IN WHOLE OR IN PART CAN BE REPRODUCED WITHOUT THE EXPRESS WRITTEN CONSENT OF SPC TECHNOLOGY.

SIZE

A

DWG. NO.

Ta-1048

ELECTRONIC FILE

Ta-1048.DWG

REV

A