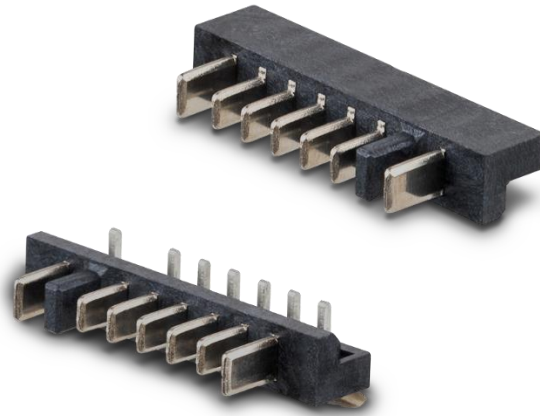


RRC-MC21-90-20

Battery Mating Connector

P/N: 211278



Features:

- Mating connector for standard battery from factors RRC21xx
- 7.00A max. charge or discharge current to battery
- 7-pin male connector
- 2.5mm pitch
- RoHS and REACH compliant

Applications:

Mating connector for RRC's smart batteries used in medical and industrial applications

Specification

Ratings	
Current	7.00A max. / pin
Voltage	30.00VDC

Materials	
Housing	Thermoplastic High Temperature, UL 94V-0, black
Contacts	Copper Alloy
Plating	50µm Nickel on contact area, 100µm Matte-Tin on solder tails

Environmental Condition	
Operating Temperature	-40°C to +105°C

Electrical Requirements	
Contact Resistance	40mOhm max.
Insulation Resistance	100MOhm min. at 500VDC / 1min
Dielectric withstand	500.00VAC / 1min

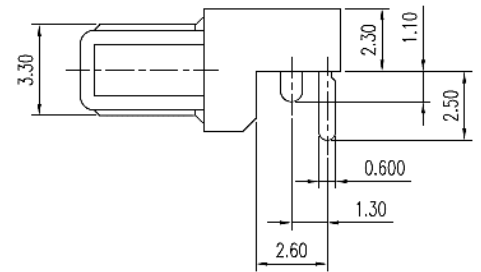
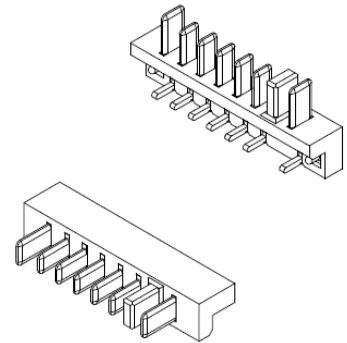
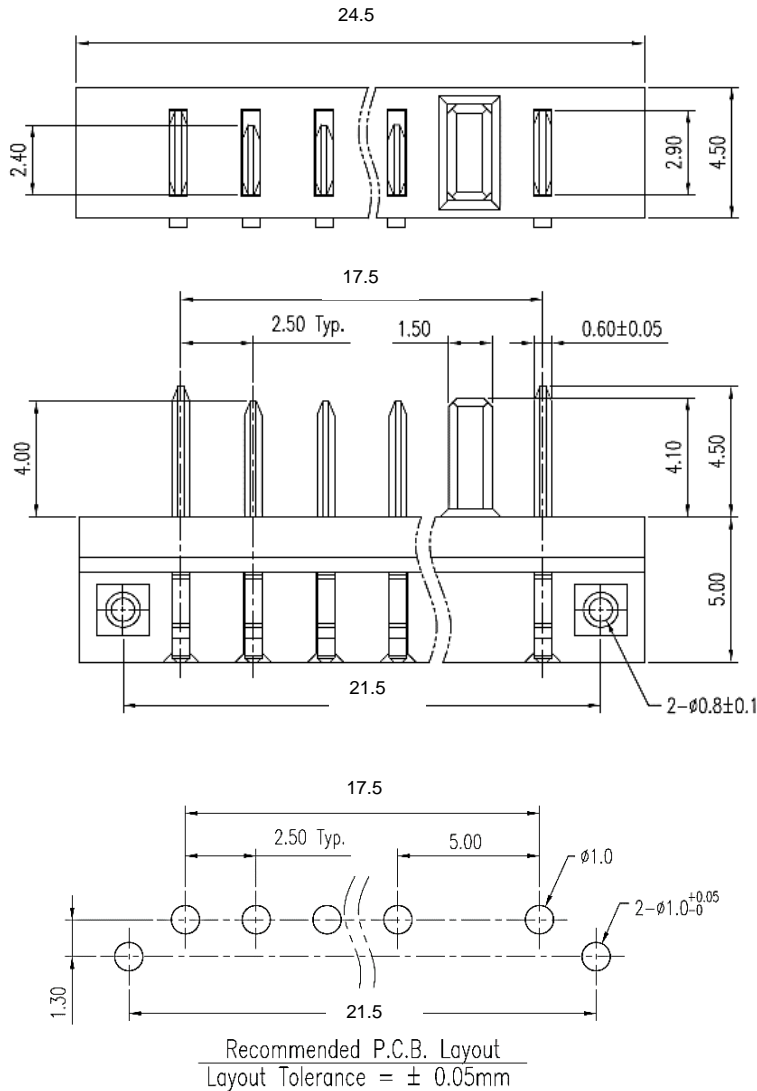
Mechanical Requirements	
Dimensions (LxWxH)	24.50mm x 9.50mm x 4.50mm
Weight	Typical 1g
PCB mounting	90° PCB edge mounting
Contact Retention Force	300g min. / pin

Physical Requirements	
Solder Temperature	245°C ± 5°C
Immersion Period	5 ± 0.5sec

Regulatory Approvals	
Green Procurement	RoHS REACH

Packaging	
24 connectors per tube	
200 tubes per carton	

Drawings



Germany/Headquarters

RRC power solutions GmbH
Technologiepark 1
66424 Homburg / Saar

Tel.: +49 6841 98090
Fax: +49 6841 9809280
Email: sales@rrc-ps.de
Web: www.rrc-ps.de

USA

RRC power solutions Inc.
18340 Yorba Linda Blvd.,
107-437 Yorba Linda,
CA 92886-4104

Tel.: +1 714 777 3604
Fax: +1 714 777 3658
Email: usa@rrc-ps.com
Web: www.rrc-ps.com

Hong Kong

RRC power solutions Ltd.
S-V,6/F, Valiant Industrial
Centre 2-12 Au Pui Wan Street
Fo Tan, N.T., Hong Kong

Tel.: +852 2376 0106
Fax: +852 2375 0107
Email: hkrrc@rrc-ps.cn
Web: www.rrc-ps.com

China

RRC power solutions Ltd.
Room 1306, C Building,
Tianan International building,
Renmin South Road, Luohu
District, Shenzhen 518021

Tel.: +86 755 8374 1908
Fax: +86 755 8374 1861
Email: hkrrc@rrc-ps.cn
Web: www.rrc-ps.com