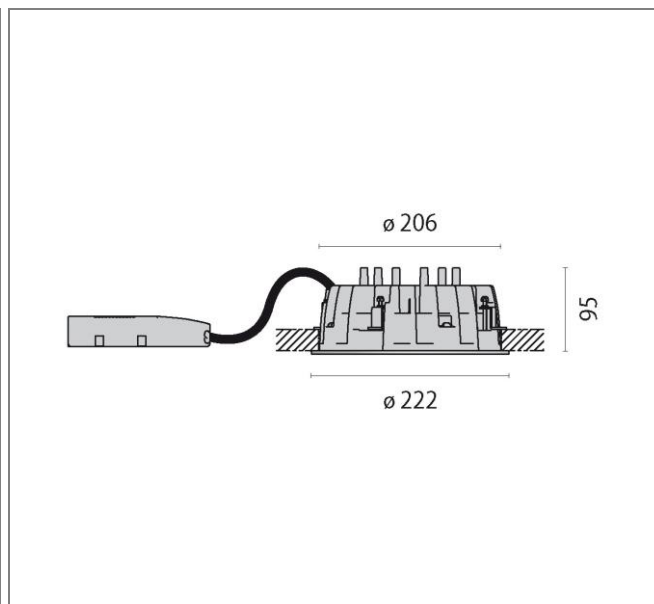


ART.: 822721733001

DLSB220 LED OPAL COVER - 95 mm



Art.: 822721733001, DLSB220 LED, Opal-white pmma diffuser, 38W, 3000K, Driver static, Symmetrical - direct, White, Recessed round LED downlight for indoors, consisting of: / Multi-purpose die-cast aluminium housing combines all functions: heat-sinking, ceiling trim, ceiling brackets and gear tray connection / Light-tight housing / Suitable for ceiling tile thickness from 1-25 mm / Recessed frosted diffuser for optimal light distribution and high homogeneity / White modular reflector, ABS injection-molded with light-tight connection of LED board / Excellent heat dissipation through die-cast aluminium heat sink with FAST (Flexible Air Stream) Technology / Colour rendering index Ra > 80 / Colour tolerance according to MacAdam = 3 SDCM / Complete with electric converter / Protection class IP54 (for light emission surface for installation in closed ceilings)

Connected load	38 W
Luminous flux	3380 lm
Efficiency	89 lm/W
Colour temperature	3000K
Colour rendering (CRI)	80
IP class	20
Nominal voltage	220 – 240 V
Colour	WH-RAL9016
UGR	24,9

